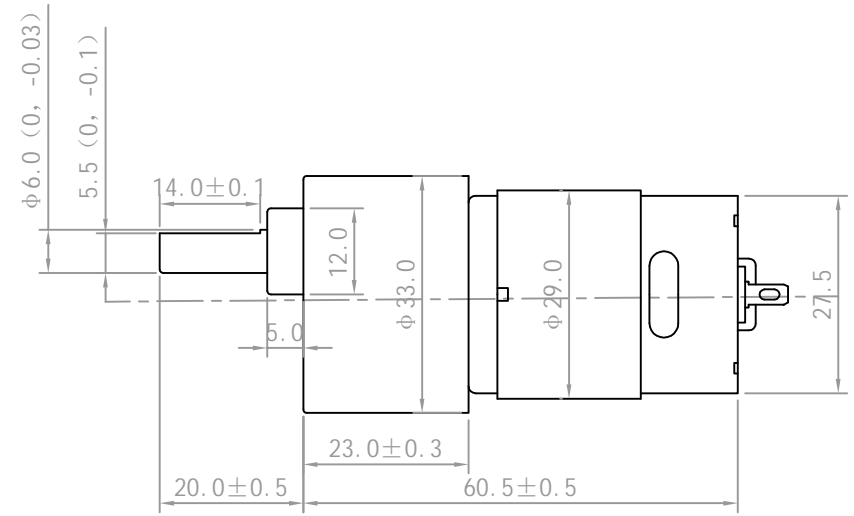
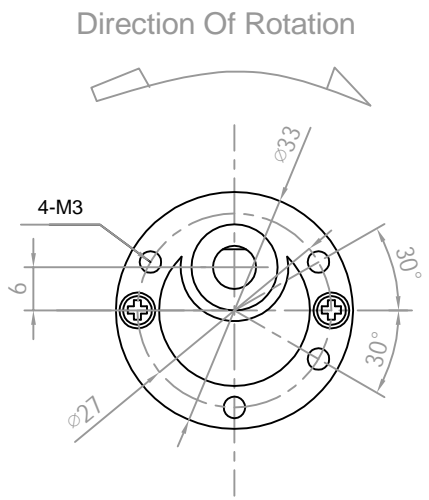


Rev.	Description	Date
01		



No.	Item	Specification	No.	Item	Specification
1	Rated Voltage	12.0V DC	7	Gear Ratio	51.9:1
2	No Load Speed	90RPM±10%	8	Direction of Rotation	CW
3	No Load Current	≤120mA			
4	On Load	100mN.m			
5	On Load Speed	82RPM±10%			
6	On Load Current	≤300mA			

Drawn	Bruce	01/08/2018	Unit: mm Kysan Electronics www.kysanelectronics.com info@kysanelectronics.com	
Checked	Tony	01/08/2018		
Eng Appr.				
Mfg Appr.				
Q.A.				
SKU: 1030568			Size :A4	Weight(Kg):
			Scale 2:1	