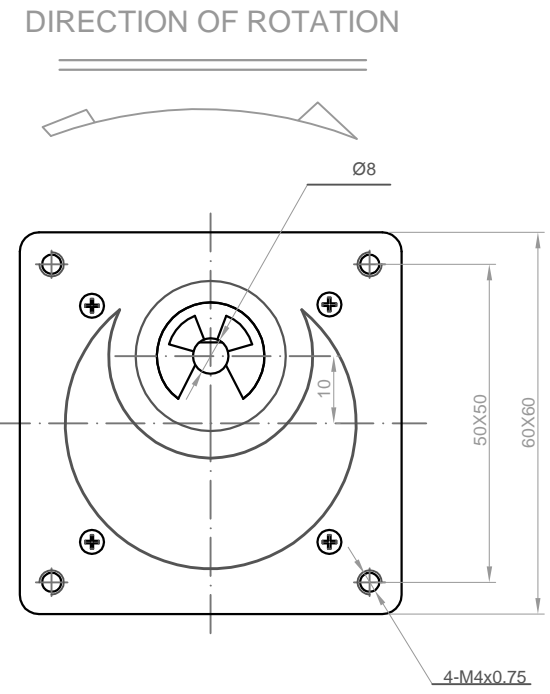
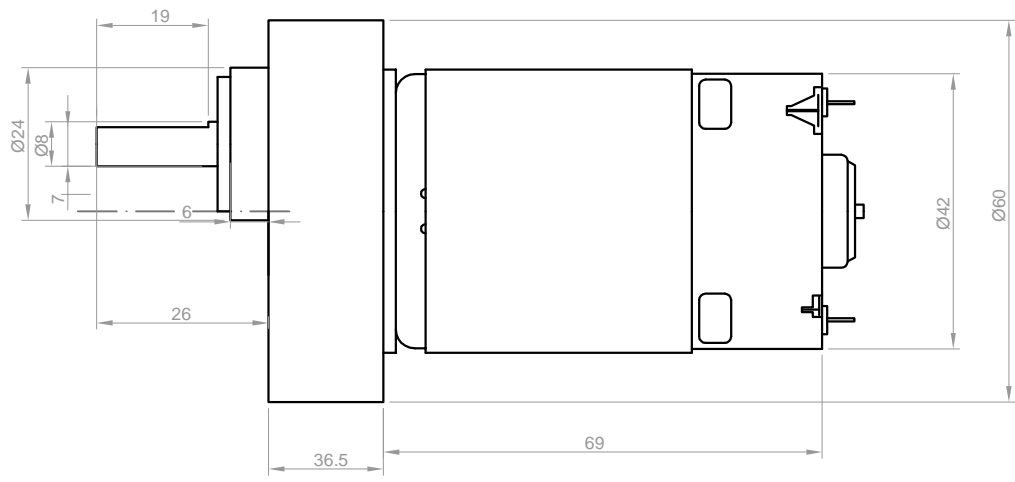


2	1
Rev.	Description
00	07/17/2014



DIRECTION OF ROTATION

NO.	Item	Specification	NO.	Item	Specification
1	Rated Voltage	24V	7	Rated Current	1.4A
2	Motor Model	46M			
3	No Load Speed	15 RPM			
4	Reduction Ratio	1:204			
5	Rated Speed	10.5 RPM			
6	Rated Torque	30 Kg.cm			

Drawn			Unit: mm	
Checked	Lawrence	02/26/2015	Kysan Electronics www.kysanelectronics.com info@kysanelectronics.com	
Eng Appr.				
Mfg Appr.				
Q.A.				
SKU	1030602		Size :A4	Weight(Kg):
			Scale 1:1	