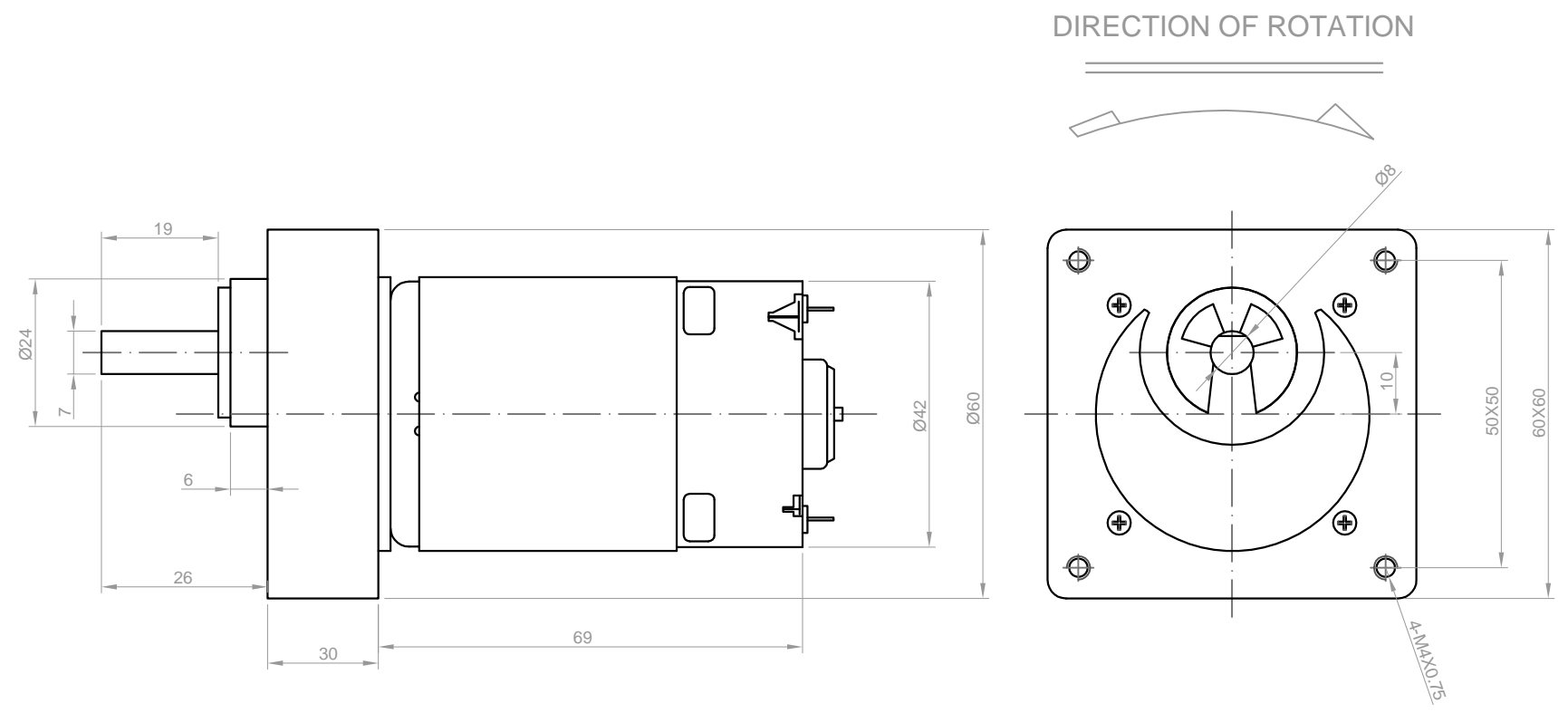


Rev.	Description	Date
00		07/17/2014



NO.	Item	Specification	NO.	Item	Specification
1	Rated Voltage	24V	7	Rated Current	1.5A
2	Motor Model	46M			
3	No Load Speed	160RPM			
4	Reduction Ratio	1:27.5			
5	Rated Speed	112RPM			
6	Rated Torque	15Kg.cm			

Drawn	Joseph	07/17/2014	Unit: mm	
Checked	Lawrence	07/17/2014		
Eng Appr.			Kysan Electronics www.kysanelectronics.com info@kysanelectronics.com	
Mfg Appr.				
Q.A.				
SKU	1030604		Size :A4	Weight(Kg):
			Scale 1:1	