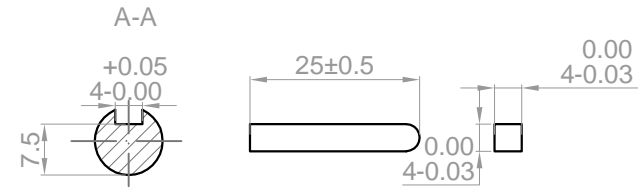
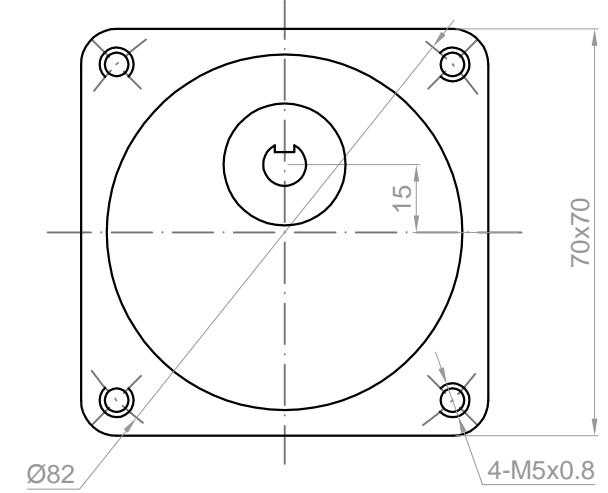
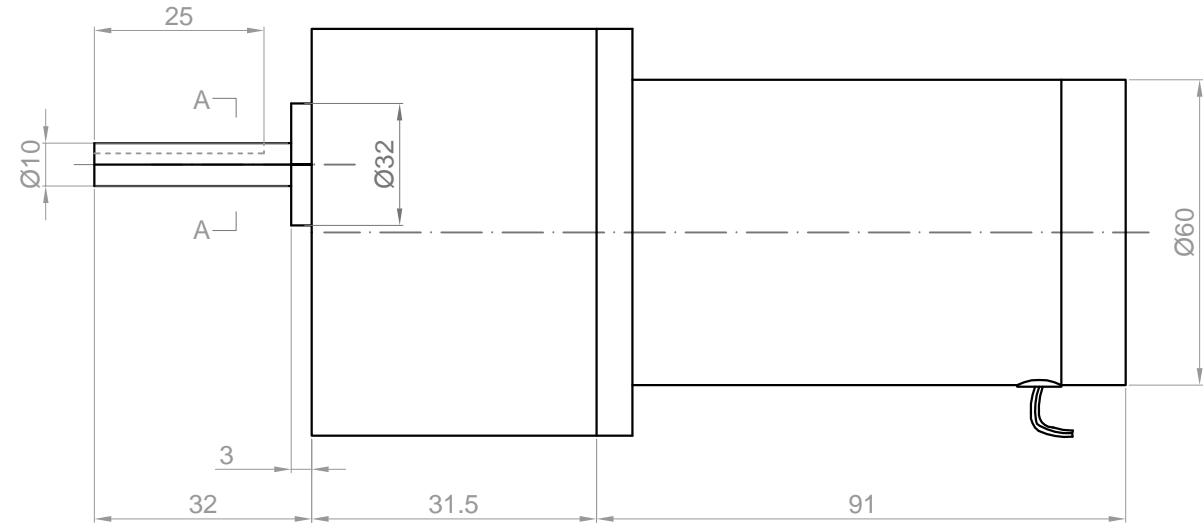


Rev.	Description	Date
01	Release for Production	11/28/2012



Direction of Rotation



NO.	Item	Specification	NO.	Item	Specification
1	Rated Voltage	24 VDC	7	No Load Speed	200 RPM
2	Reduction Ratio	1:10			
3	Rated Current	1.454 A			
4	Rated Torque	11 Kg.cm			
5	Rated Speed	150 RPM			
6	No Load Current	0.371 A			

Drawn	Harry	11/28/2012	Kysan Electronics www.kysanelectronics.com		
Checked	Sara	11/28/2012			
Eng Appr.					
Mfg Appr.					
Q.A.			info@kysanelectronics.com		
SKU	1030617		Size : A4	Weight(Kg):	Unit: mm
			Scale: 2:1		