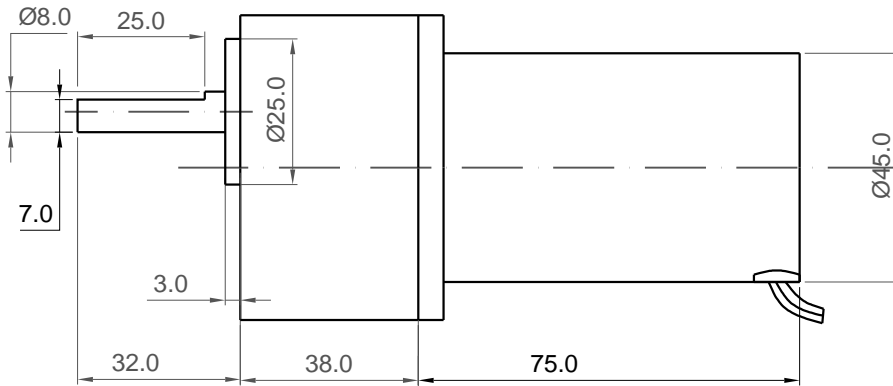
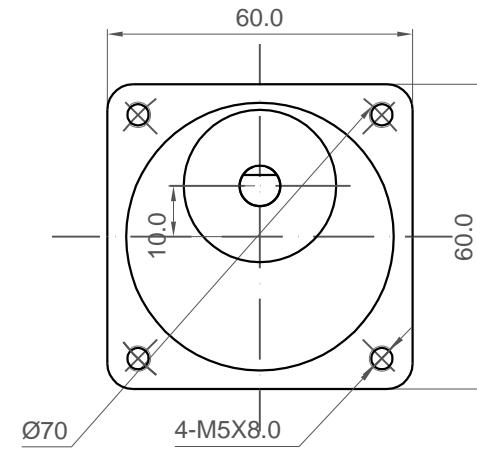


| NO. | ITEM | SPECIFICATION |
|-----|-----------------|---------------|
| 1 | Rated Voltage | 12V |
| 2 | Rated Speed | 100RPM |
| 3 | No Load Current | 0.8A |
| 4 | Rated Torque | 13Kg.cm |
| 5 | Gear Ratio | 1:23 |

| Rev. | Revision | Date |
|------|----------|------------|
| 01 | Update | 10/14/2010 |



DIRECTION OF ROTATION



| | | | | |
|------------|------|------------|-------------------|----------------------|
| DRAWN | Alex | 10/14/2010 | UNIT: mm | |
| CHECKED | Sara | 10/14/2010 | | |
| ENG APPR. | | | Kysan Electronics | |
| MFG APPR. | | | | |
| Q.A. | | | | |
| Y45ZYT1201 | | | SIZE A4 | Kysan SKU 1030618 |
| | | | SCALE: 1:1 | REV 01 |
| | | | Weight(kg): | SHEET 1 OF 1 |