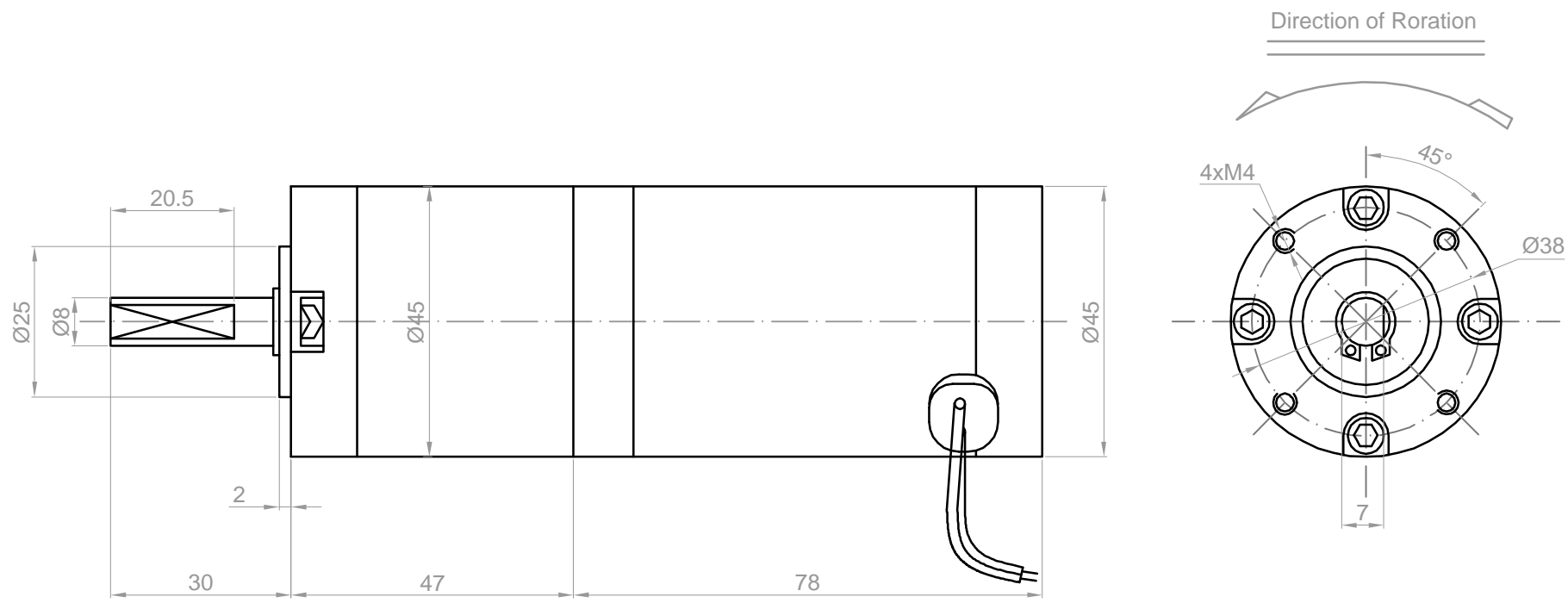


Rev.	Description	Date
01	Release for Production	07/09/2012



- 1. Rated Voltage: 12 VDC
- 2. No Load Speed: 10 RPM
- 3. Ratio: 162:1
- 4. DC Motor: 2000 RPM

Drawn	Feny	07/09/2012	Kysan Electronics www.kysanelectronics.com		
Checked	Sara	07/09/2012			
Eng Appr.			info@kysanelectronics.com		
Mfg Appr.					
Q.A.					
SKU	10351151		Size : A4	Weight(Kg):	Unit: mm
			Scale: 2:1		