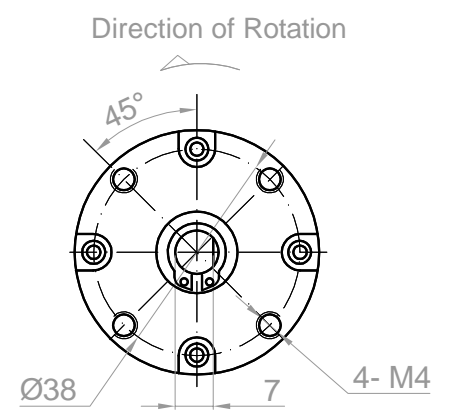
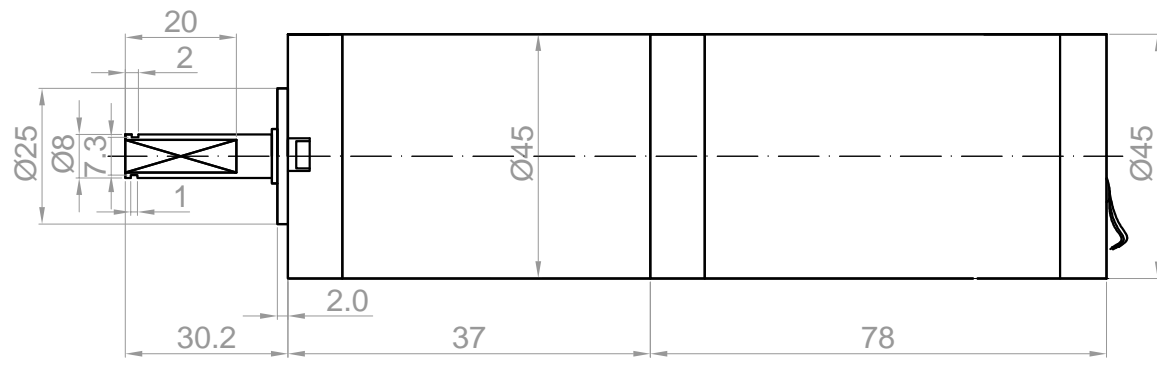
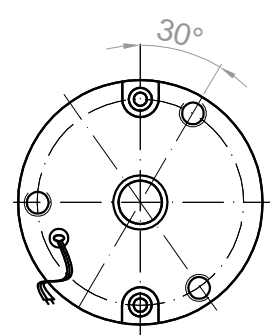


Rev.	Description	Date
01	Release for production	4/01/2012



Rated Voltage: 24 VDC
 No Load Speed: 66 RPM
 Gear Ratio: 36:1

Drawn	Amily	4/01/2012
Checked	Sara	4/01/2012
Eng Appr.		
Mfg Appr.		
Q.A.		
SKU	10351157	

UNIT: mm		
Kysan Electronics www.kysanelectronics.com info@kysanelectronics.com		
Scale: 2:1	Weight(Kg): 0.7	Size: A4