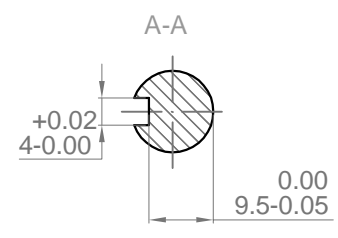
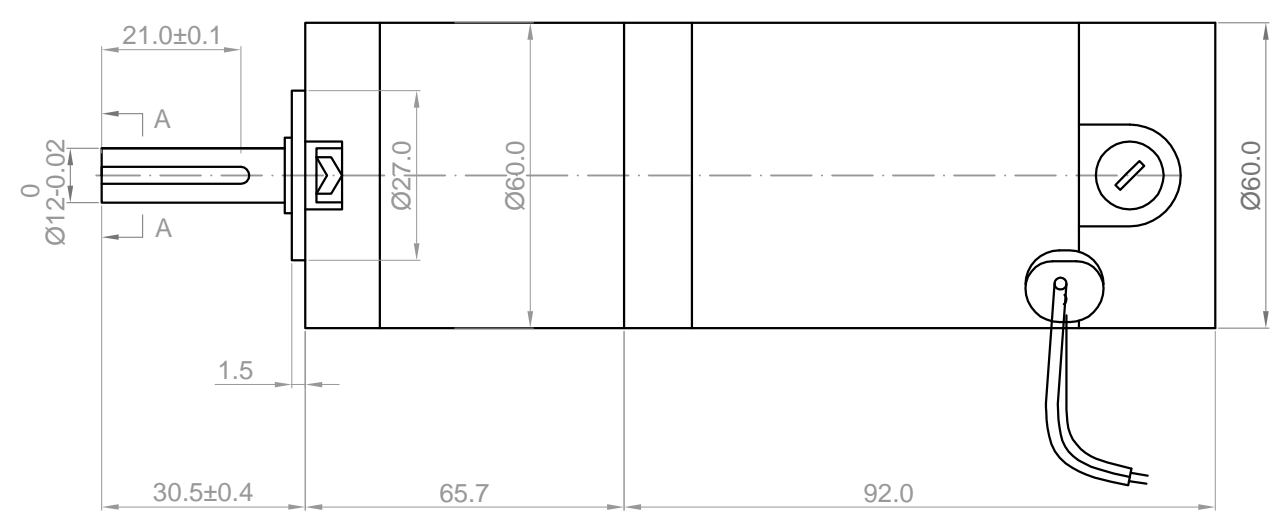
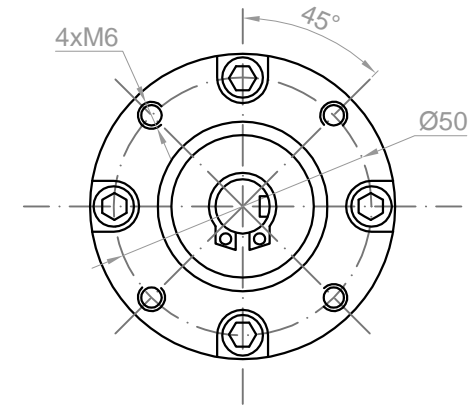


Rev.	Description	Date
01	Release for Production	09/27/2012

Direction of Rotation



NO.	Item	Specification	NO.	Item	Specification
1	Rated Voltage	DC 24V	7	Rated Current	2.25A Max
2	No Load Current	0.4A Max	8	Shaft Axial-Play	0.3mm Max
3	No Load Speed	22±10% RPM	9	Shaft Radial-play	0.05mm Max
4	Insulation Level	B			
5	Rated Speed	17 ±10% RPM			
6	Rated Torque	11.9 N.m			

Drawn	L	05/17/2015	<b>Kysan Electronics</b> <a href="http://www.kysanelectronics.com">www.kysanelectronics.com</a> <a href="mailto:info@kysanelectronics.com">info@kysanelectronics.com</a>		
Checked					
Eng Appr.					
Mfg Appr.					
Q.A.					
SKU	10351416		Size : A4	Weight(Kg):	Unit: mm
			Scale: 2:1		Sheet 1of 1