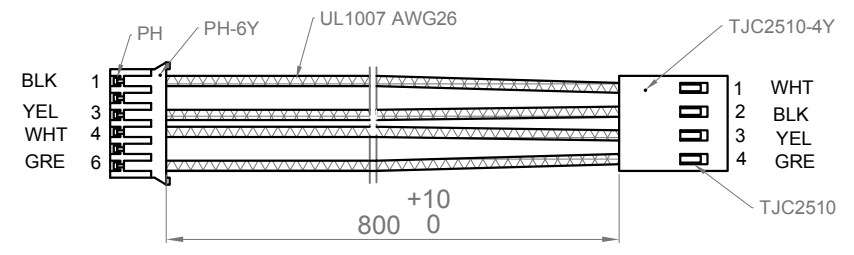
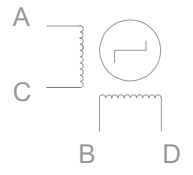
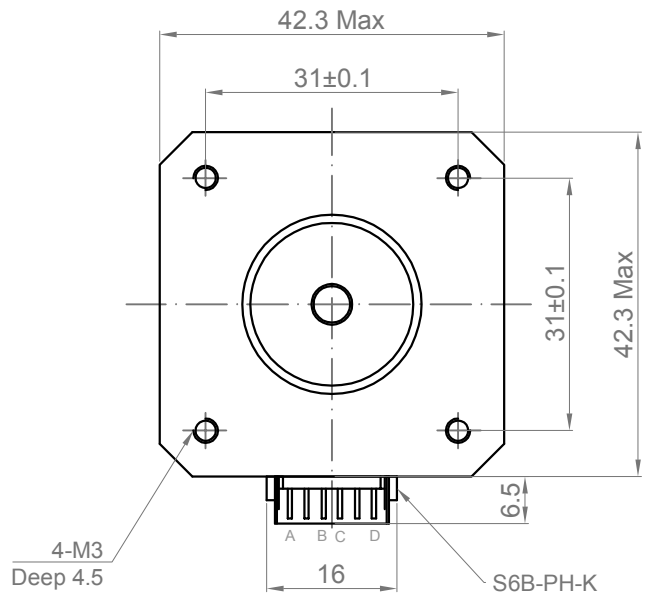
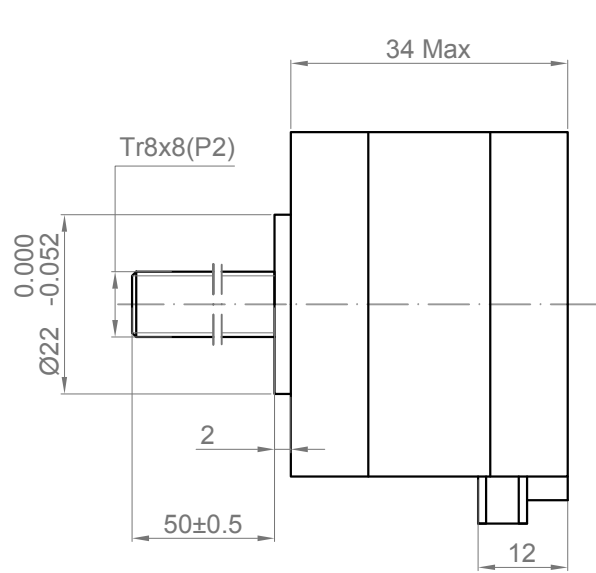


Rev.	Description	Date
01	Release for Production	09/13/2012



NO.	Item	Specification	NO.	Item	Specification
1	Step Angle	1.8°	7	Insulation Class	Class B
2	Rated Voltage	12 V	8	Rotor Inertia	38 g.cm <sup>2</sup>
3	Current Per Phase	0.4 A	9	Detent Torque	12 mN.m
4	Resistance Per Phase	30 Ω ±10%	10	Holding Torque	260 mN.m
5	Inductance Per Phase	27 mH ±20%	11	Insulation Resistance	100MΩmin.(500VDC)
6	Number of Phase	2			

Drawn	Harry	09/13/2012
Checked	Sara	09/13/2012
Eng Appr.		
Mfg Appr.		
Q.A.		
SKU	1040093	

<b>Kysan Electronics</b>		
www.kysanelectronics.com		
info@kysanelectronics.com		
Size : A4	Weight(Kg): 0.2	Unit: mm
Scale: 2:1		Sheet 1of 1