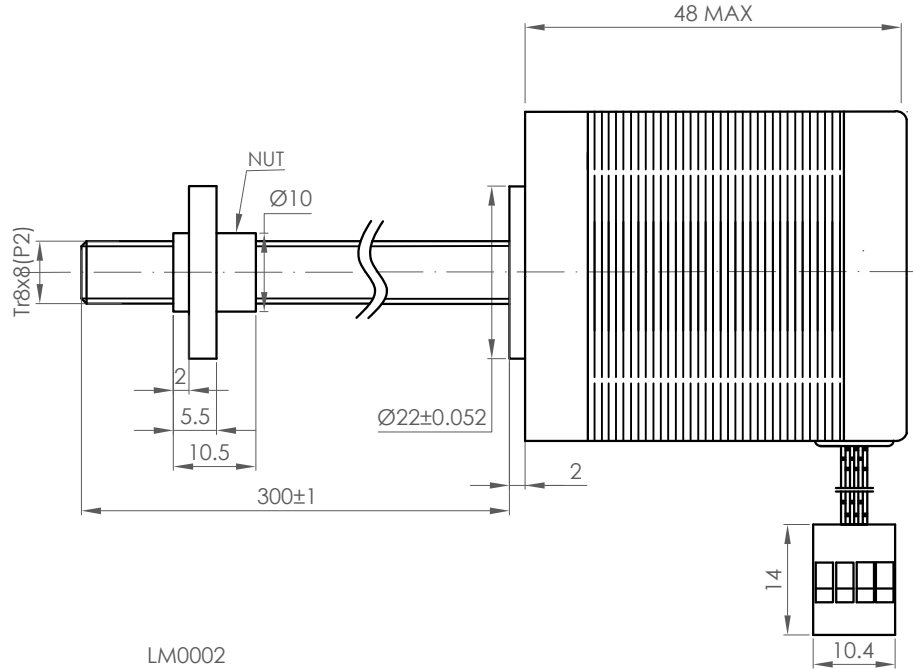
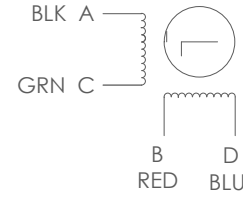
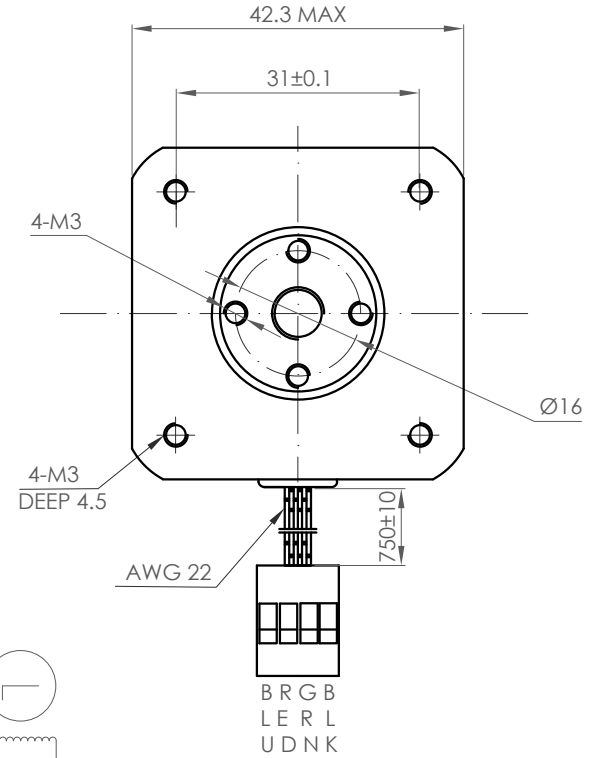


Rev.	Description	Date
1	RELEASE FOR PRODUCTION	9/15/2015



LM0002  
Material:Cu H59



NO.	Item	Specification	NO.	Item	Specification
1	Step Angle	1.8°	7	Insulation Class	Class B
2	Rated Voltage	4.2 V	8	Insulation Resistance	100MΩ Min (500VDC)
3	Rated Current	1.5 A	9	Resolution	0.04
4	Resistance Per Phase	2.8 ±10%Ω	10	Rotor Inertia	82 g.cm <sup>2</sup>
5	Inductance Per Phase	5 ±20% mH	11	Thrust	22 Kg (Peak)
6	Number of Phase	2			

UNLESS OTHERWISE SPECIFIED:		NAME	DATE
TOLERANCES: (MILLIMETERS)		DRAWN	SHELLY 10/10/2012
FRACTIONAL: ±		UPDATED	STEPHANY 9/15/2015
ANGULAR: ±		ENGR APPR.	
TWO PLACE DECIMAL: ±		MFG APPR.	
THREE PLACE DECIMAL: ±			
FOUR PLACE DECIMAL: ±			
COMMENTS:			

UNIT: MILLIMETERS			
<b>KYSAN ELECTRONICS</b>			
WWW.KYSANELECTRONICS.COM			
SIZE	SKU	REV	
LETTER	1040094	01	
SCALE: 1:1	WEIGHT (KG): 0.35	SHEET 1 OF 1	