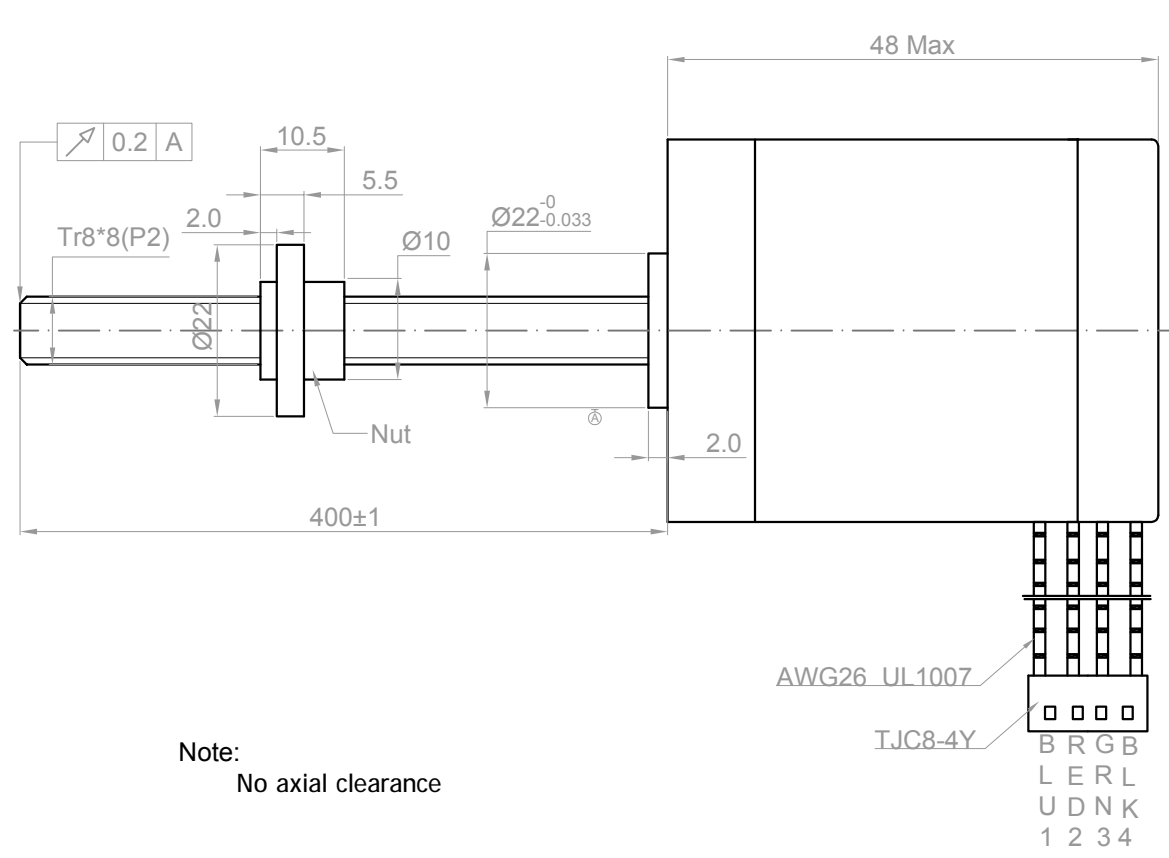
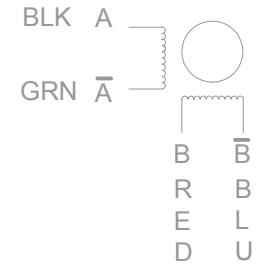
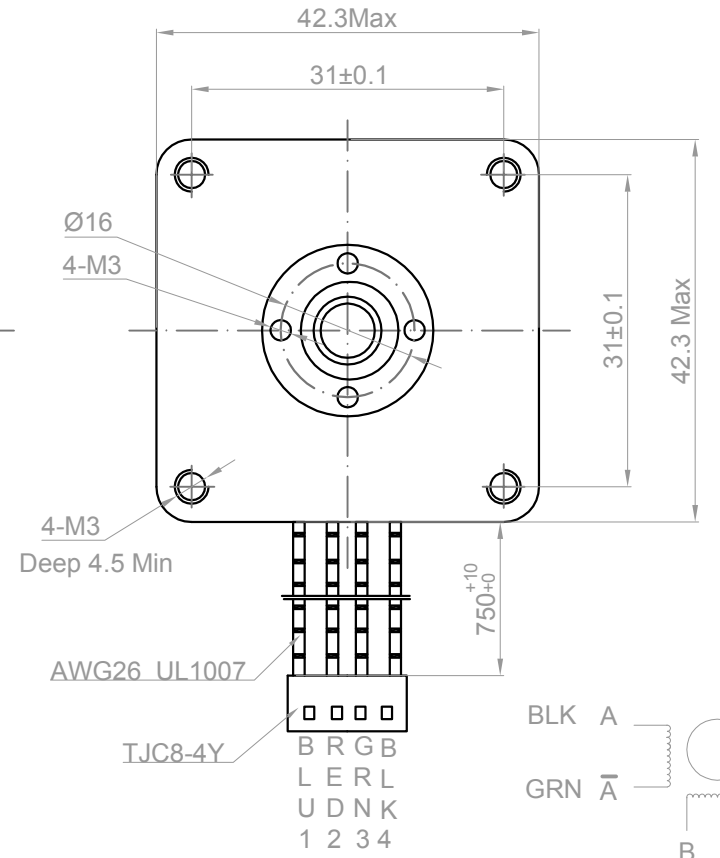


Rev.	Description	Date
01	Release for Production	08/13/2013



Note:
No axial clearance



NO.	Item	Specification	NO.	Item	Specification
1	Step Angle	1.8°±5%/STEP	7	Holding Torque	50 N.cm Min
2	Voltage	4.5V	8	Number of Phase	2
3	Current Per Phase	1.5A	9	Detent Torque	2.8 N.cm Max
4	Resistance Per Phase	3±10% Ω	10	Rotor Torque	68 g.cm ²
5	Inductance Per Phase	5±20% mH			
6	Insulation Class	B			

Drawn	Rainia	08/13/2013	Kysan Electronics www.kysanelectronics.com		
Checked	Sara	08/13/2013			
Eng Appr.					
Mfg Appr.					
Q.A.			info@kysanelectronics.com		
SKU	1040096		Size : A4	Weight(Kg):	Unit: mm
			Scale: 4:1		