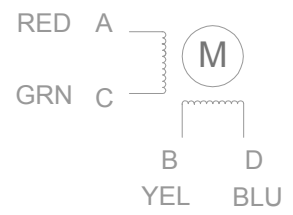
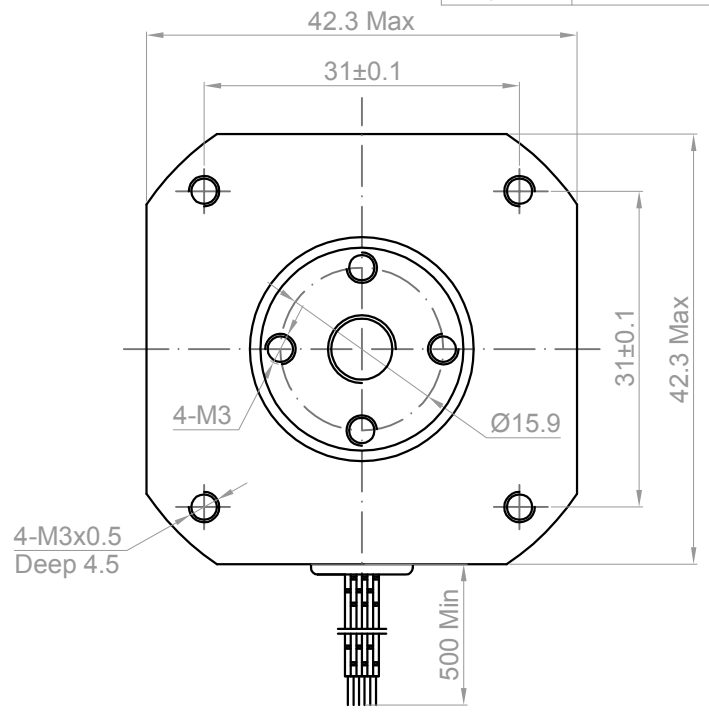
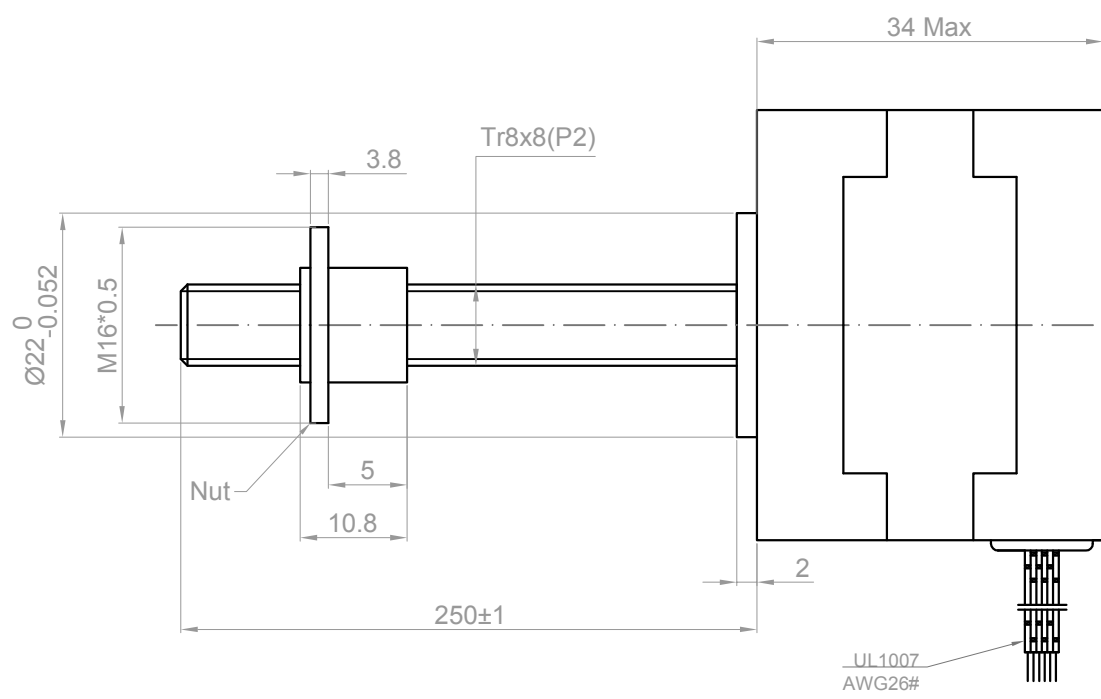


Rev.	Description	Date
01	Release for Production	12/19/2012



NO.	Item	Specification	NO.	Item	Specification
1	Step Angle	1.8°	7	Holding Torque	2600 g.cm
2	Rated Voltage	12 V			
3	Current Per Phase	0.4 A			
4	Resistance Per Phase	30 Ω			
5	Inductance Per Phase	42 mH			
6	Insulation Class	B			

Drawn	Harry	12/19/2012
Checked	Sara	12/19/2012
Eng Appr.		
Mfg Appr.		
Q.A.		
SKU	1040107	

Kysan Electronics
www.kysanelectronics.com
info@kysanelectronics.com

Size : A4	Weight(Kg):	Unit: mm
Scale: 3:1		Sheet 1of 1