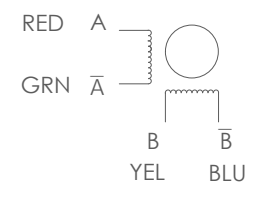
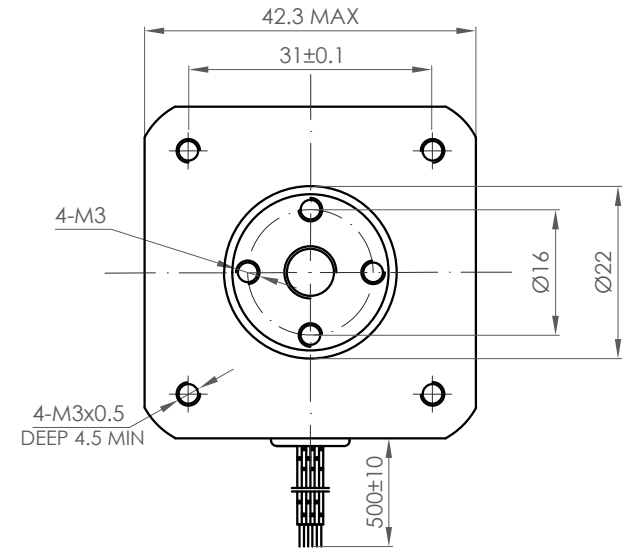
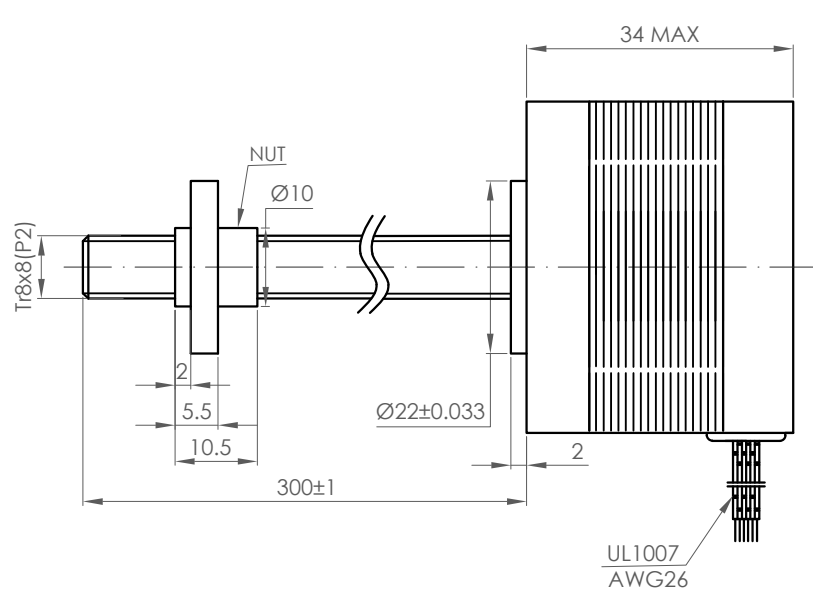


Rev.	Description	Date
1	RELEASE FOR PRODUCTION	9/8/2015



UL1007
AWG26

NO.	Item	Specification	NO.	Item	Specification
1	Step Angle	1.8° ±5%	7	Insulation Class	Class B
2	Rated Voltage	12 V	8	Holding Torque	26 N.cm Min
3	Rated Current	0.4 A/PHASE	9	Detent Torque	1.6 N.cm Max
4	Resistance Per Phase	30 ±10%Ω	10	Rotor Torque	35 g.cm ²
5	Inductance Per Phase	42 ±20% <u>m</u> H			
6	Number of Phase	2			

UNLESS OTHERWISE SPECIFIED:		NAME	DATE
TOLERANCES: (MILLIMETERS)		UPDATED	STEPHANY 9/8/2015
FRACTIONAL: ±			
ANGULAR: ±			
TWO PLACE DECIMAL: ±			
THREE PLACE DECIMAL: ±			
FOUR PLACE DECIMAL: ±			
COMMENTS:		ENGR APPR.	
		MFG APPR.	

UNIT: MILLIMETERS			
KYSAN ELECTRONICS			
WWW.KYSANELECTRONICS.COM			
SIZE	SKU	REV	
LETTER	1040111	01	
SCALE: 1:1	WEIGHT (KG):	SHEET 1 OF 1	