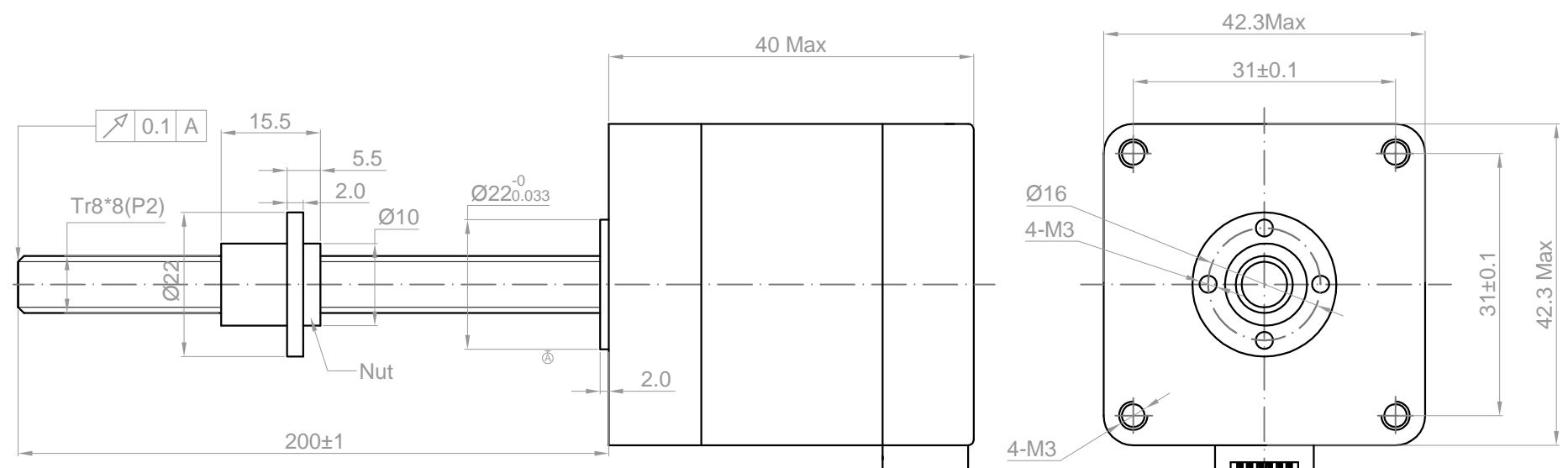
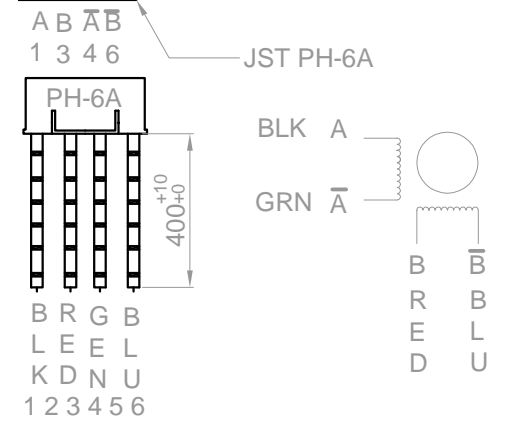


Rev.	Description	Date
01	Release for Production	06/07/2013



Note:
No axial clearance



NO.	Item	Specification	NO.	Item	Specification
1	Step Angle	$1.8 \pm 5\% / \text{STEP}$	7	Holding Torque	40 N.cm Min
2	Voltage	12.5V	8	Number of Phase	2
3	Current	0.5A/PHASE	9	Detent Torque	2.2 N.cm Max
4	Resistance Per Phase	$25 \pm 10\% \Omega$	10	Lead Style	AWG26 UL1007
5	Inductance Per Phase	$40 \pm 20\% \text{ mH}$	11	Rotor Inertia	54 g.cm ²
6	Insulation Class	B			

Drawn	Gimy	06/07/2013	Kysan Electronics www.kysanelectronics.com info@kysanelectronics.com		
Checked	Sara	06/07/2013			
Eng Appr.					
Mfg Appr.					
Q.A.					
SKU	1040113		Size : A4	Weight(Kg):	Unit: mm
			Scale: 4:1		Sheet 1of 1