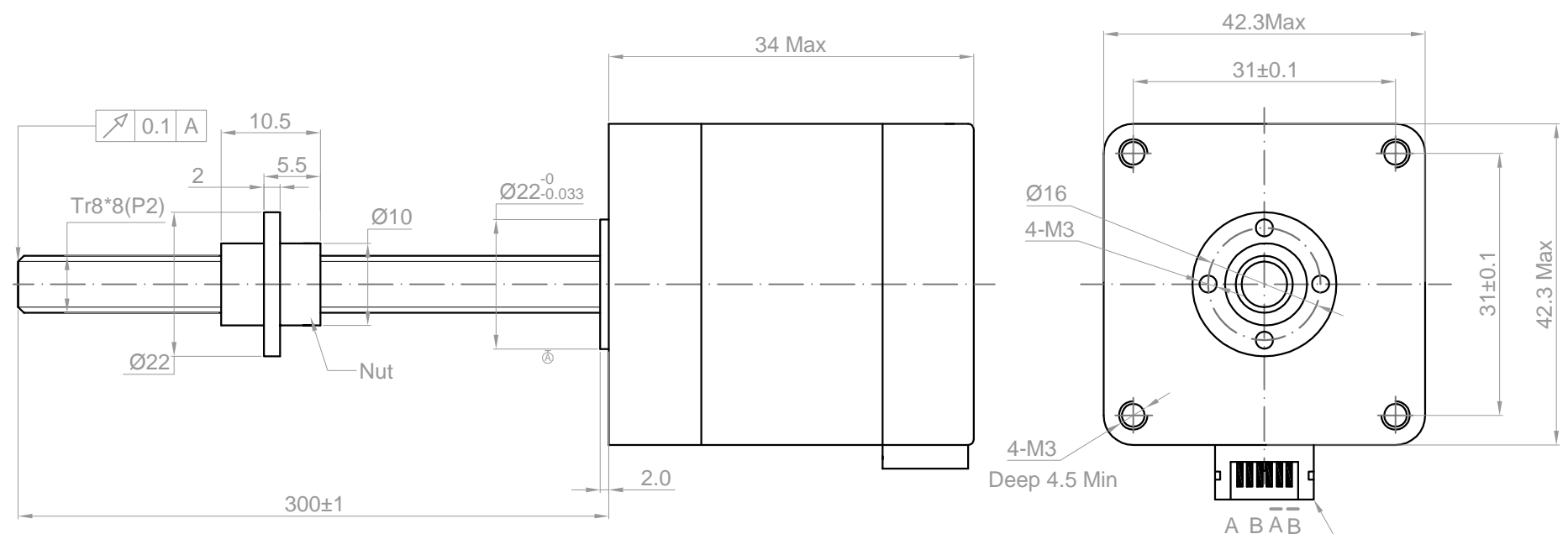
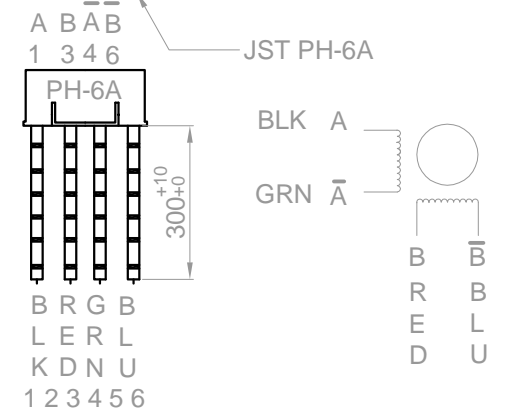


Rev.	Description	Date
01	Release for Production	06/24/2013



Note:
No axial clearance.



NO.	Item	Specification	NO.	Item	Specification
1	Step Angle	$1.8 \pm 5\%$ /STEP	7	Holding Torque	26 N.cm Min
2	Voltage	12 V	8	Number of Phase	2
3	Current	0.4A/PHASE	9	Detent Torque	1.6 N.cm Max
4	Resistance Per Phase	$30 \pm 10\%$ Ω	10	Lead Style	AWG26 UL1007
5	Inductance Per Phase	$37 \pm 20\%$ mH	11	Rotor Torque	35 g.cm ²
6	Insulation Class	B			

Drawn	Gimy	06/24/2013	Kysan Electronics www.kysanelectronics.com		
Checked	Sara	06/24/2013			
Eng Appr.					
Mfg Appr.					
Q.A.			info@kysanelectronics.com		
SKU	1040118		Size : A4	Weight(Kg):	Unit: mm
			Scale: 4:1		