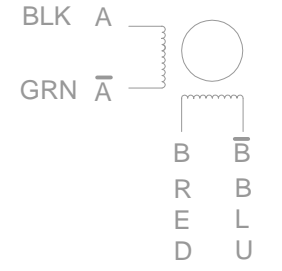
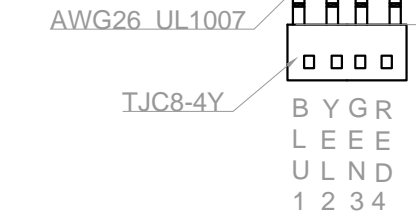
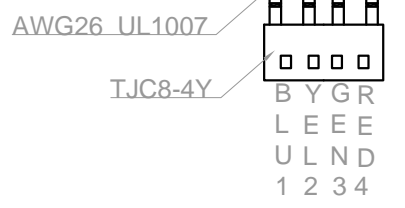
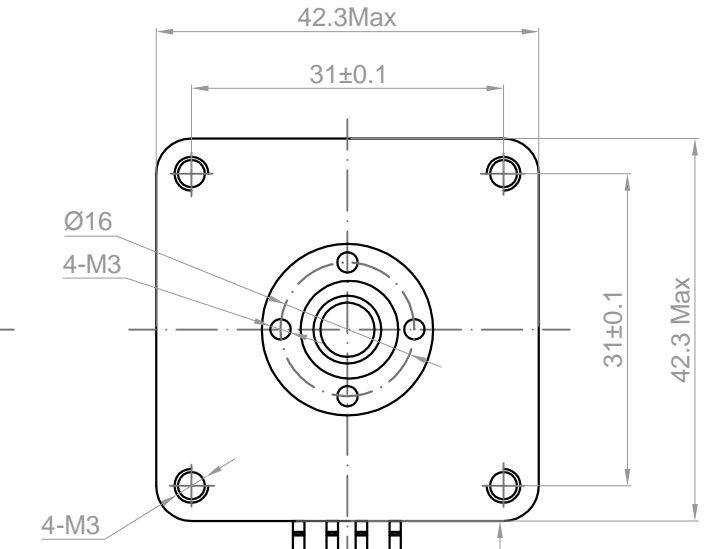
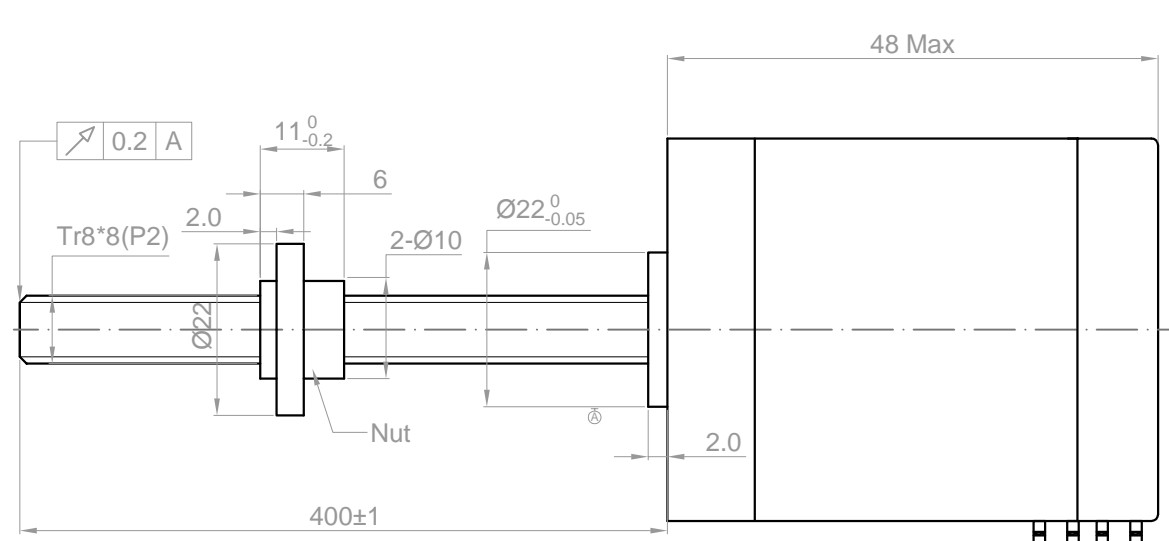


Rev.	Description	Date
01	Release for Production	20/02/2014



Note:  
No axial clearance

NO.	Item	Specification	NO.	Item	Specification
1	Step Angle	1.8°±5%/STEP	7	Holding Torque	55 N.cm Min
2	Voltage	4.2V	8	Number of Phase	2
3	Current Per Phase	1.5A			
4	Resistance Per Phase	2.8±10% Ω			
5	Inductance Per Phase	4.8±20% mH			
6	Insulation Class	B			

Drawn	Lawrence	20/02/2014
Checked	Sara	20/02/2014
Eng Appr.		
Mfg Appr.		
Q.A.		
SKU	1040119	

<b>Kysan Electronics</b>		
<a href="http://www.kysanelectronics.com">www.kysanelectronics.com</a>		
<a href="mailto:info@kysanelectronics.com">info@kysanelectronics.com</a>		
Size : A4	Weight(Kg):0.34kg	Unit: mm
Scale: 4:1		Sheet 1of 1