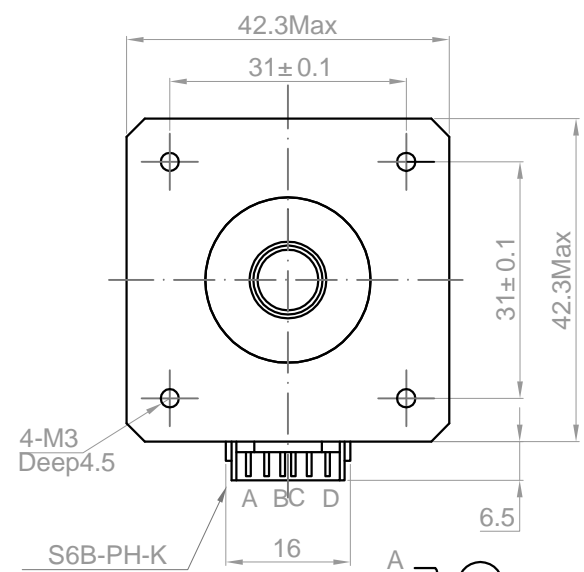
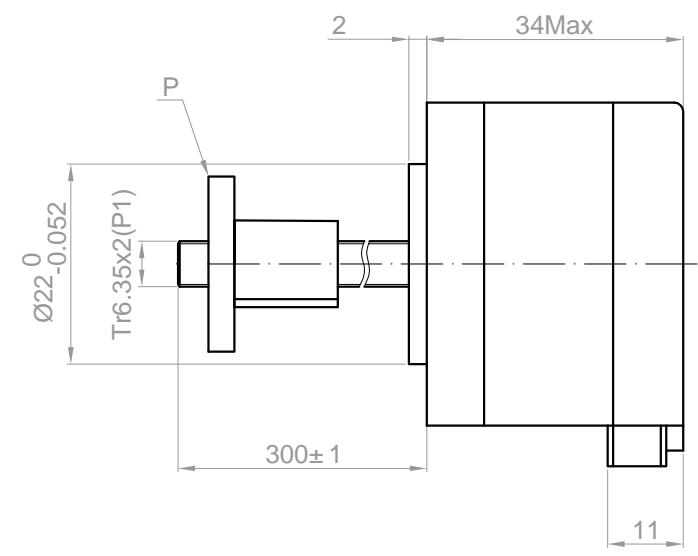
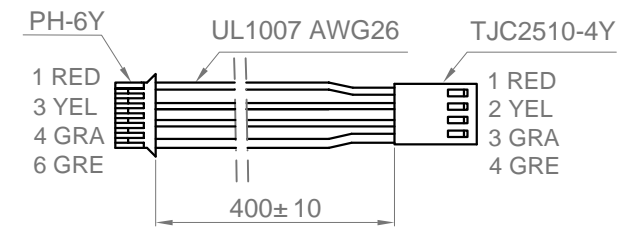
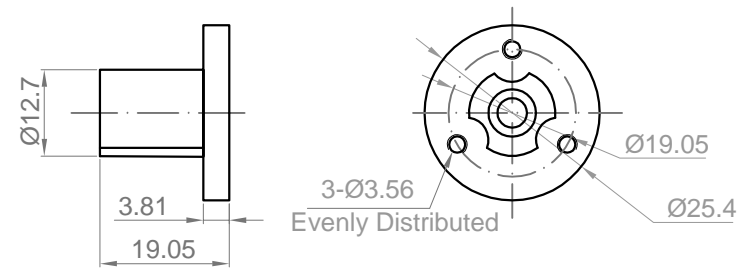


Rev.	Description	Date
01	Release for production	02/08/2012



Part-P :



NO.	Item	Specification	NO.	Item	Specification
1	Step Angle	1.8°	7	Insulation Class	Class B
2	Rated Voltage	12 V	8	Rotor Inertia	38 g.cm ²
3	Rated Current	0.4 A/Phase	9	Detent Torque	12 mN.m
4	Resistance Per Phase	30 $\Omega \pm 10\%$ /Phase	10	Holding Torque	260 mN.m
5	Inductance Per Phase	37 mH $\pm 20\%$ /Phase	11	Insulation Resistance	100 M Ω (500 VDC)
6	Number of Phase	2			

Drawn	Emily	02/08/2012	Unit: mm		
Checked	Sara	02/08/2012	Kysan Electronics		
Eng Appr.			Size A4	Email to Info@kysanelectronics.com	
Mfg Appr.					
Q.A.					
SKU	1040153		Weight(kg): 0.2		