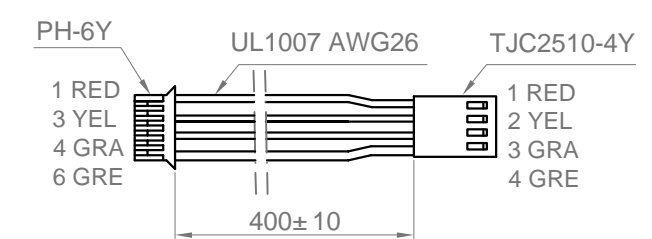
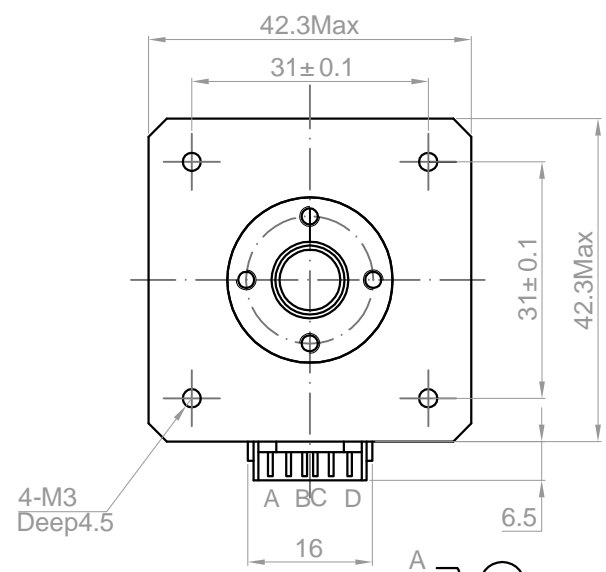
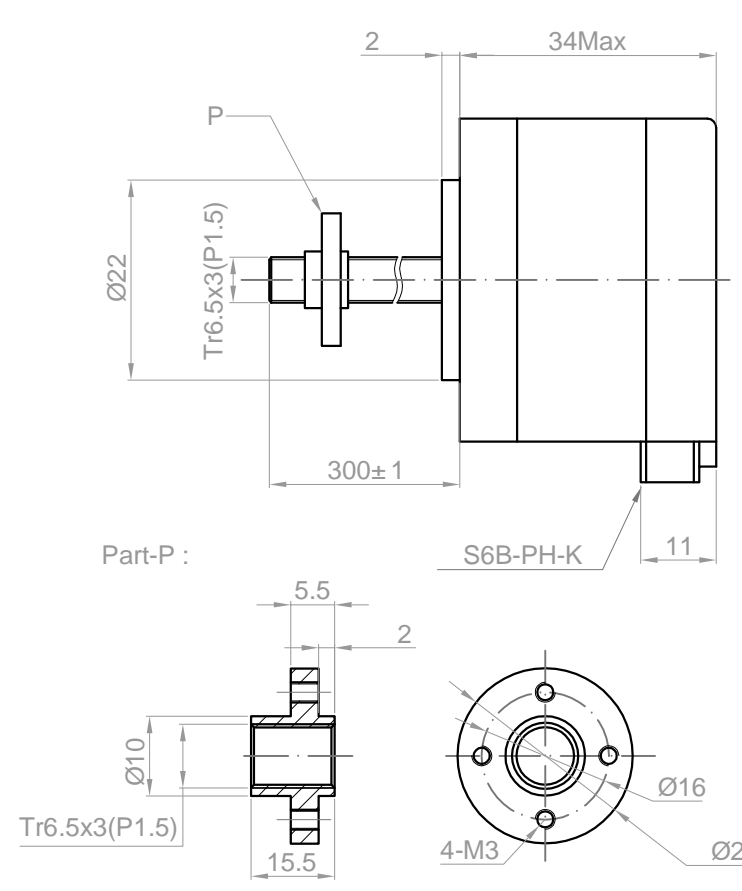


Rev.	Description	Date
01	Update	01/16/2012



No.	Item	Specification	No.	Item	Specification
1	Step Angle	1.8°	7	Insulation Class	Class B
2	Rated Voltage	12 V	8	Rotor Inertia	38 g.cm <sup>2</sup>
3	Rated Current	0.4 A/Phase	9	Detent Torque	12 mN.m
4	Resistance Per Phase	30 Ω± 10%/Phase	10	Holding Torque	260 mN.m
5	Inductance Per Phase	37 mH± 20%/Phase			
6	Number of Phase	2			

Drawn	Emily	01/16/2012	<b>Unit: mm</b> <b>Kysan Electronics</b> <b>www.kysanelectronics.com</b>		
Checked	Sara	01/16/2012			
Eng Appr.					
Mfg Appr.					
Q.A.			Size A4	Email info@kysanelectronics.com	Rev 01
SKU	1040154		Scale: 3:1	Weight(Kg): 0.3	Sheet 1 of 1