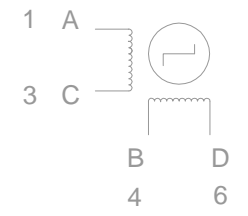
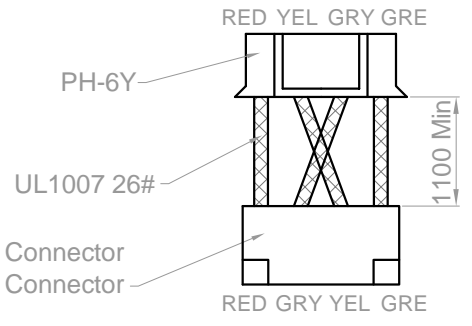
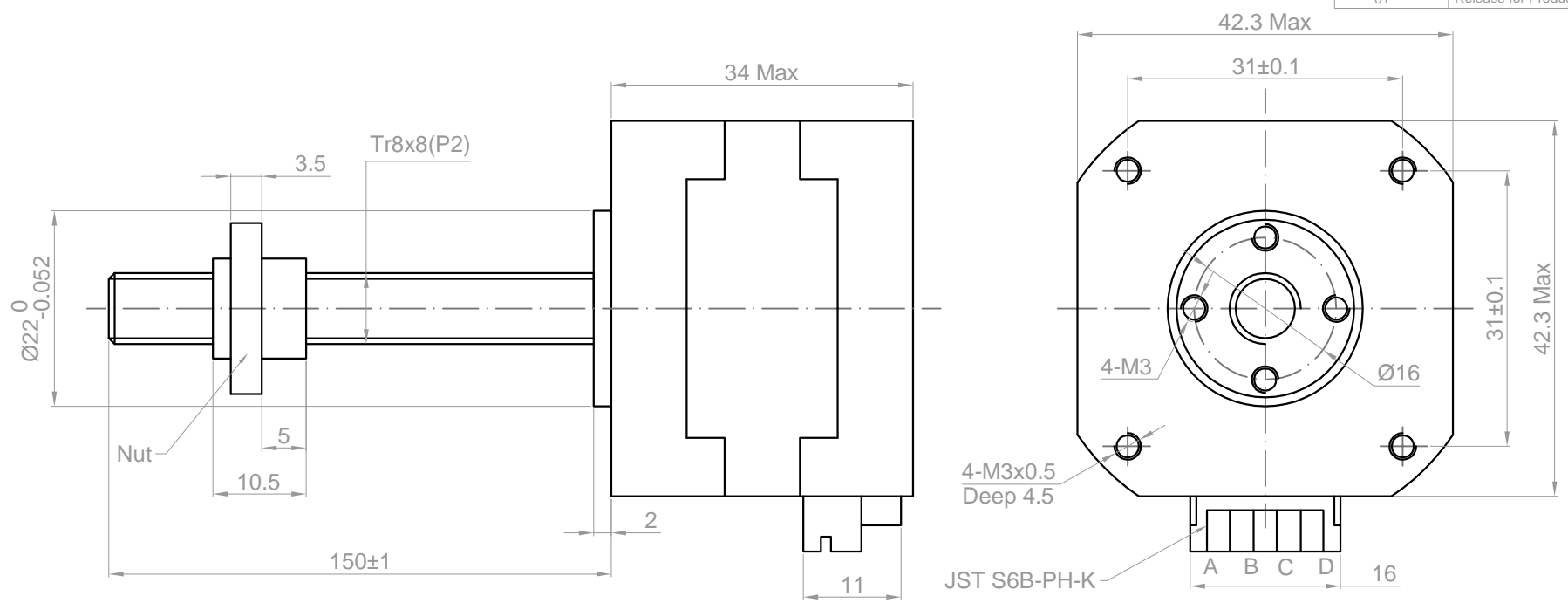


Rev.	Description	Date
01	Release for Production	08/23/2012



NO.	Item	Specification	NO.	Item	Specification
1	Step Angle	1.8°	7	Holding Torque	2.6 Kg.cm
2	Rated Voltage	12 V			
3	Current Per Phase	0.4 A			
4	Resistance Per Phase	30 Ω			
5	Inductance Per Phase	37 mH			
6	Insulation Class	B			

Drawn	Feny	08/23/2012
Checked	Sara	08/23/2012
Eng Appr.		
Mfg Appr.		
Q.A.		
SKU	1040176	

Kysan Electronics		
www.kysanelectronics.com		
info@kysanelectronics.com		
Size : A4	Weight(Kg):	Unit: mm
Scale: 3:1		Sheet 1 of 1