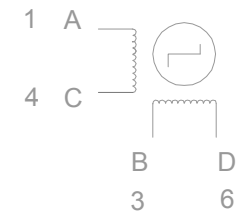
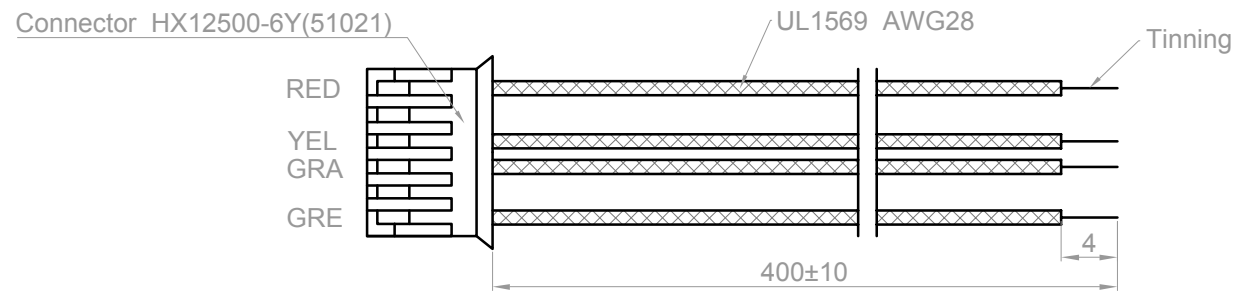
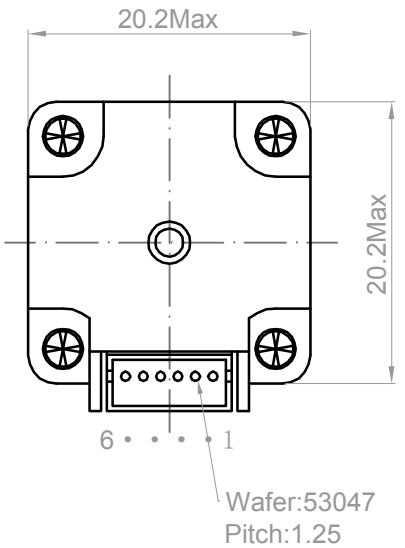
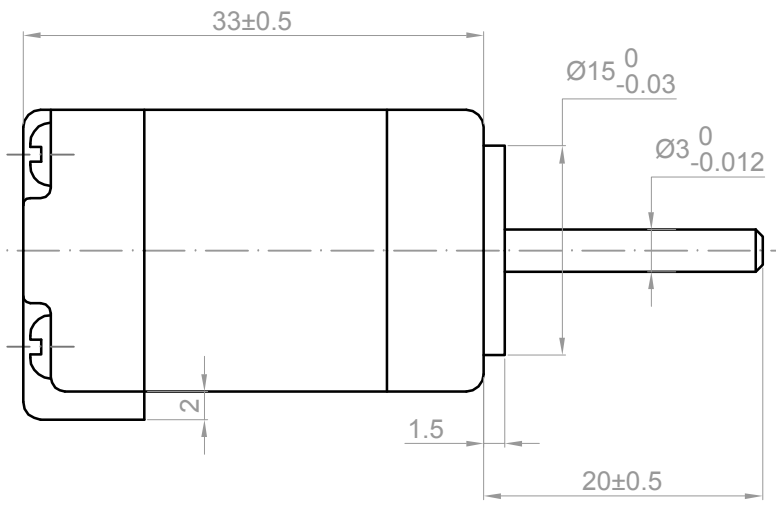
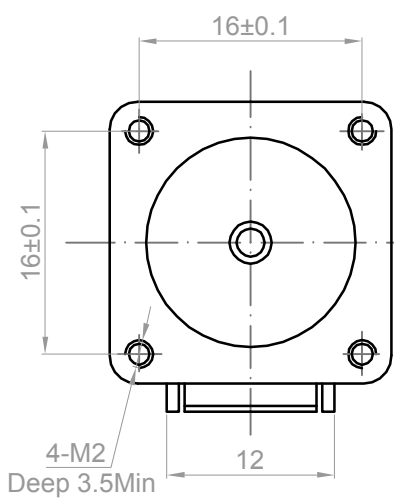


Rev.	Description	Date
01	Release for Production	06/27/2012



NO.	Item	Specification	NO.	Item	Specification
1	Step Angle	1.8°±5%	7	Holding Torque	200 g.cm
2	Rated Voltage	3.9 V	8	Insulation Class	B
3	Rated Current	0.6 A	9	Insulation Resistance	100mΩMin.<500V DC>
4	Resistance Per Phase	6.5 Ω ±10%	10	Rotor Inertia	2.2g.cm ²
5	Inductance Per Phase	2.2 mH ±20%	11	Ambient Temperature	-30~60°C
6	Number of Phase	2	12	Detent Torque	21 g.cm

Drawn	Feny	06/27/2012
Checked	Sara	06/27/2012
Eng Appr.		
Mfg Appr.		
Q.A.		
SKU	1040180	

Kysan Electronics		
www.kysanelectronics.com		
info@kysanelectronics.com		
Size : A4	Weight(Kg): 0.07	Unit: mm
Scale: 4:1		Sheet 1of 1