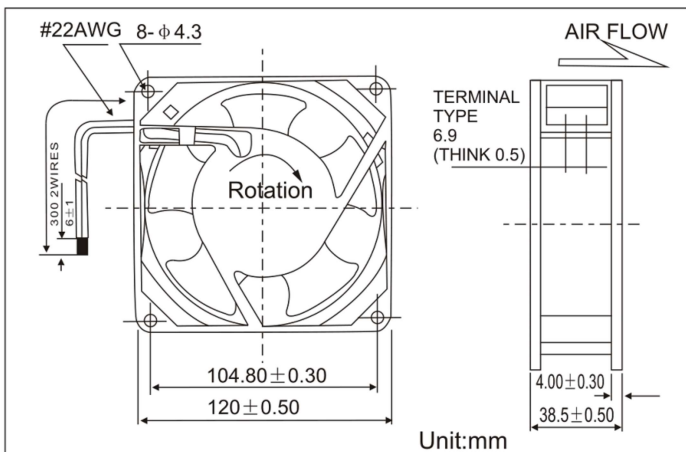




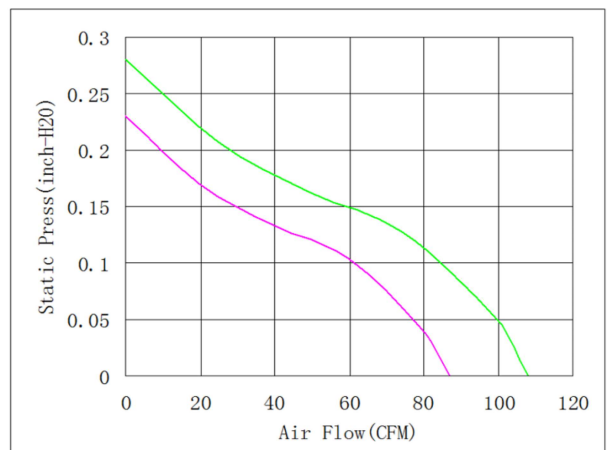
TA12038HB(S)L-1 TA12038HB(S)L-2 TA12038HB(S)L-1/2

Features

Size: 120 x 120 x 38mm(4.72 x 4.72 x 1.5in)
 Frame: Aluminum Painted
 Impeller: Reinforced Plastic UL94V-0
 Bearings: Ball Bearing & Sleeve Bearing
 Life Expectancy: 50,000 Hours at 20°C-Ball
 30,000 Hours at 20°C-Sleeve
 Approvals: CE CCC RoHS
 Weight: 515g



Air Flow vs Air Pressure



Performance

| Model | Part Number | Bearing System | Rated Voltage (VAC) | Operating Frequency (Hz) | Current (A) | Input Power (W) | Nominal Speed (R.P.M) | Air Flow (CFM) | Air Pressure (Inch-H ₂ O) | Noise (dBA) |
|---------|----------------------------------|----------------|---------------------|--------------------------|-------------|-----------------|-----------------------|----------------|--------------------------------------|-------------|
| TA12038 | TA12038HSL-1 TA12038HBL-1 | Sleeve Ball | 110/120 | 50/60 | 0.25/0.23 | 25/20 | 2500/2900 | 87/108 | 0.23/0.28 | 46.5/52.6 |
| TA12038 | TA12038HSL-2 TA12038HBL-2 | Sleeve Ball | 220/240 | 50/60 | 0.14/0.12 | 26/22 | 2500/2900 | 87/108 | 0.23/0.28 | 46.5/52.6 |
| TA12038 | TA12038HSL-1/2 TA12038HBL-1/2 | Sleeve Ball | 110/220 | 50/60 | 0.25/0.23 | 25/20 | 2500/2900 | 87/108 | 0.23/0.28 | 46.5/52.6 |
| | | | | | 0.14/0.12 | 26/22 | 2500/2900 | 87/108 | 0.23/0.28 | 46.5/52.6 |

Product specification contained herein maybe changed without prior notice

It is there fore advisable to contact CNDF before proceeding with the design of equipment incorporating this product

Kysan Electronics Inc

2570 North First Street Suite 220, San Jose California 95131 United States

Phone: 408-324-1638 Fax: 408-324-1665