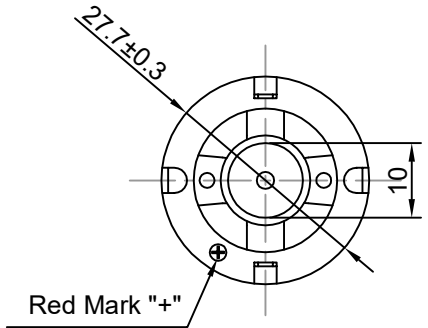
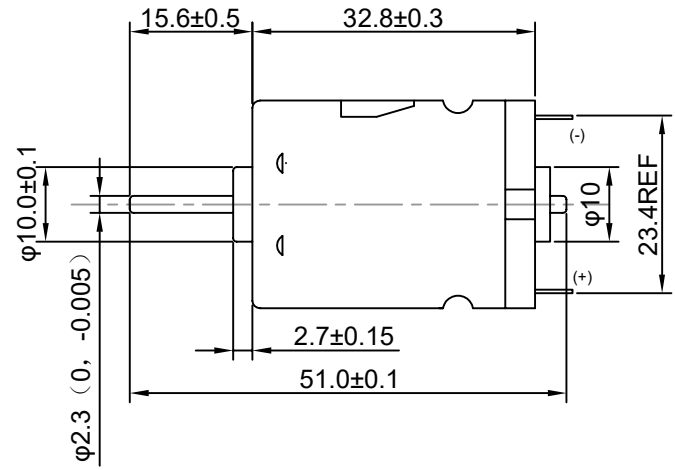
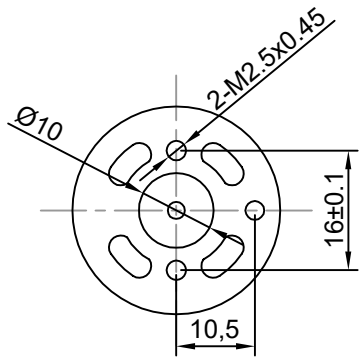


Direction Of Rotation



No.	Item	Specification	No.	Item	Specification
1	Rated Voltage	12V DC	7	Rated Load	30x40 Blade wind
2	Voltage Range	11.0-13.0V DC	8	Start Voltage	1.5V Max
3	No Load Current	0.5A	9	Stall Torque	420g.cm
4	No Load Speed	24500±10%RPM	10		
5	Rated Load Current	2.05A			
6	Rated Load Speed	19850±10%RPM			

Drawn	Tony	07/08/2024	Unit: mm		
Checked	Bruce	07/08/2024	Kysan Electronics www.kysanelectronics.com		
Eng Appr.					
Mfg Appr.					
Q.A.					
SKU: 1111040			Siae: A4	Weight(Kg):	
			Scale		