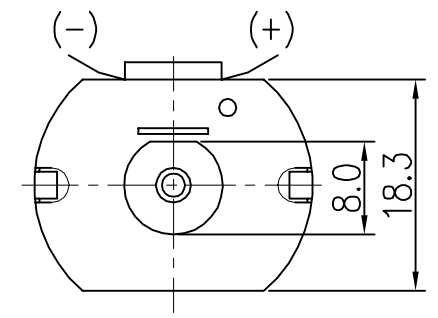
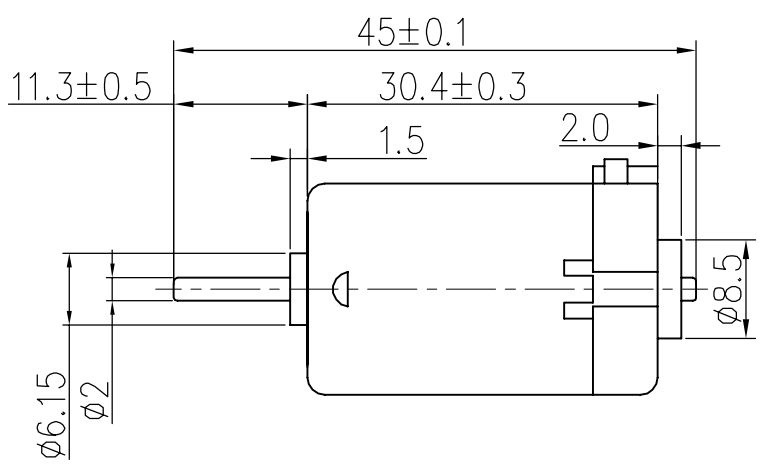
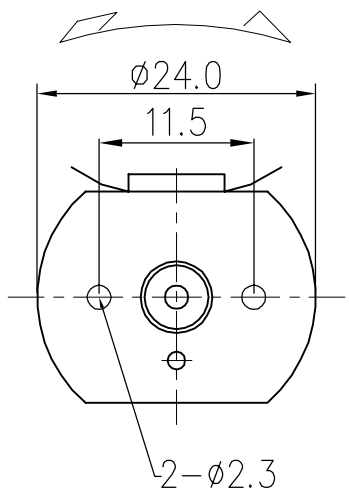


Rev.	Description	Date
01	Release for Production	09/27/2012

DIRECTION OF ROTATION



NO.	Item	Specification	NO.	Item	Specification
1	Rated Voltage	12V DC	6	No Load Current	0.15 A Max
2	Rated Load	45.26g.cm	7	No Load Speed	13300 \pm 10% RPM
3	Rated Current	0.97 A Max	8		
4	Rated Speed	11300 \pm 10% RPM			
5	Direction of Rotation	CW			

Drawn	Lawrence	03/20/2016	Kysan Electronics www.kysanelectronics.com info@kysanelectronics.com		
Checked					
Eng Appr.					
Mfg Appr.					
Q.A.			Size : A4 Scale: 5:1 Weight(Kg): 0.5 Unit: mm Sheet 1of 1		
SKU	1111053				