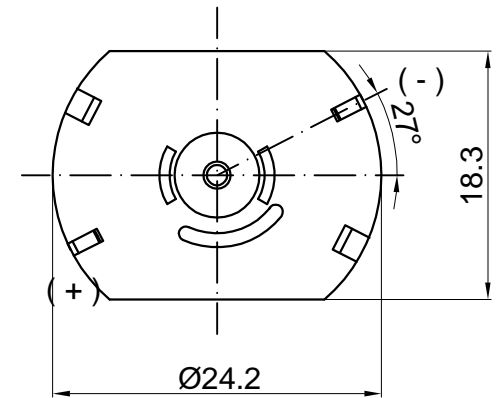
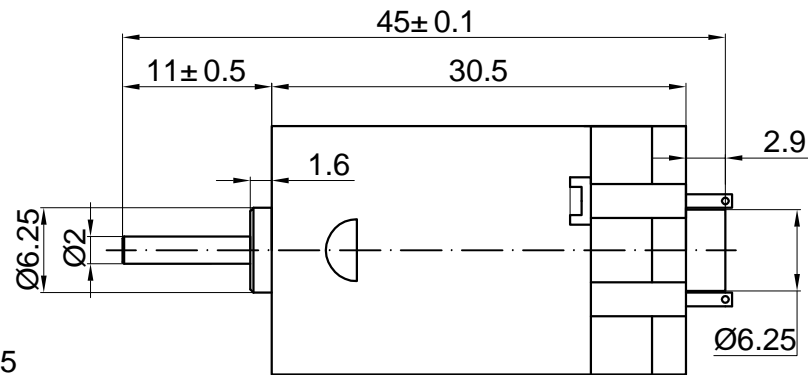
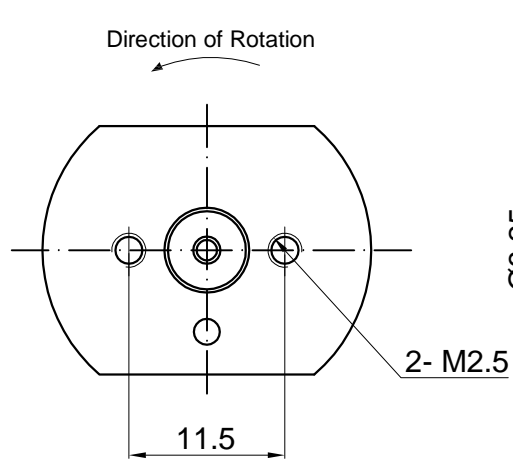


NO.	ITEM	SPECIFICATION
1	Rated Voltage	18 VDC
2	Operation Voltage Range	9~18 VDC
3	Rated Torque	36.6 g.cm
4	Direction of Rotation	CCW
5	No Load Current	0.08 A max
6	No Load Speed	9000 RPM \pm 10%
7	Rated Current	0.3 A max
8	Rated Speed	7200 RPM \pm 10%
9	Stall Torque	176.4 g.cm
10	Stall Current	0.917 A
11	Operation Temp Range	+15° ~+30°

Rev.	Revision	Date
01	Update	8/8/2011



DRAWN	Amily	8/8/2011
CHECKED	Sara	8/8/2011
ENG APPR.		
MFG APPR.		
Q.A.		

PC-280SB-09550

UNIT: mm		
Kysan Electronics		
SIZE A4	Kysan SKU 1111058	REV 01
SCALE: 4:1	Weight(kg): 0.2	SHEET 1 OF 1