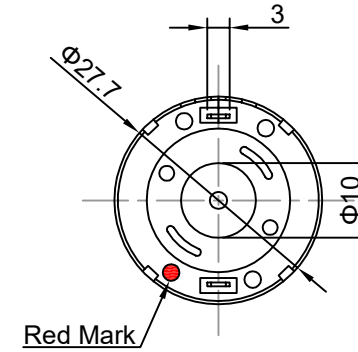
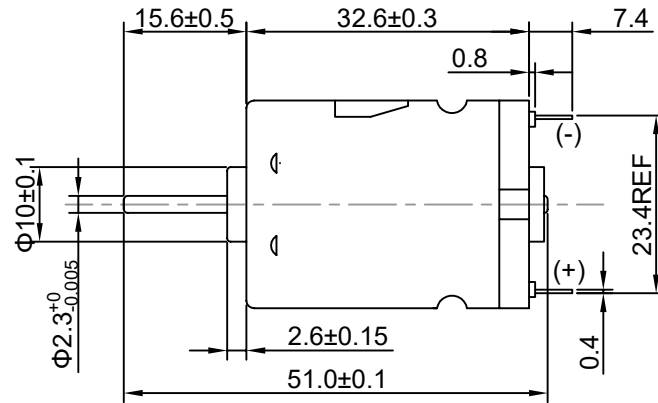
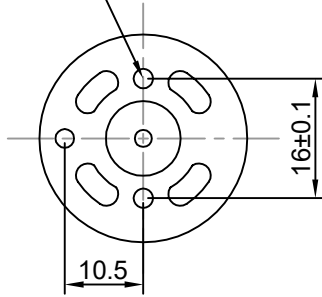


Direction Of Rotation



2-M2.6x0.45



No.	Item	Specification	No.	Item	Specification
1	Rated Voltage	12V DC	7	Start Current	5A Max
2	No Load Current	0.22A Max	8	Stall Torque	379.6g.cm
3	No Load Speed	9500±12%RPM	9	Rated Load	109.96g.cm 60x30mm Fan
4	Rated Load Current	1.5A Max			
5	Rated Load Speed	7100±10%RPM			
6	Shaft End Play	0.02-0.5mm			

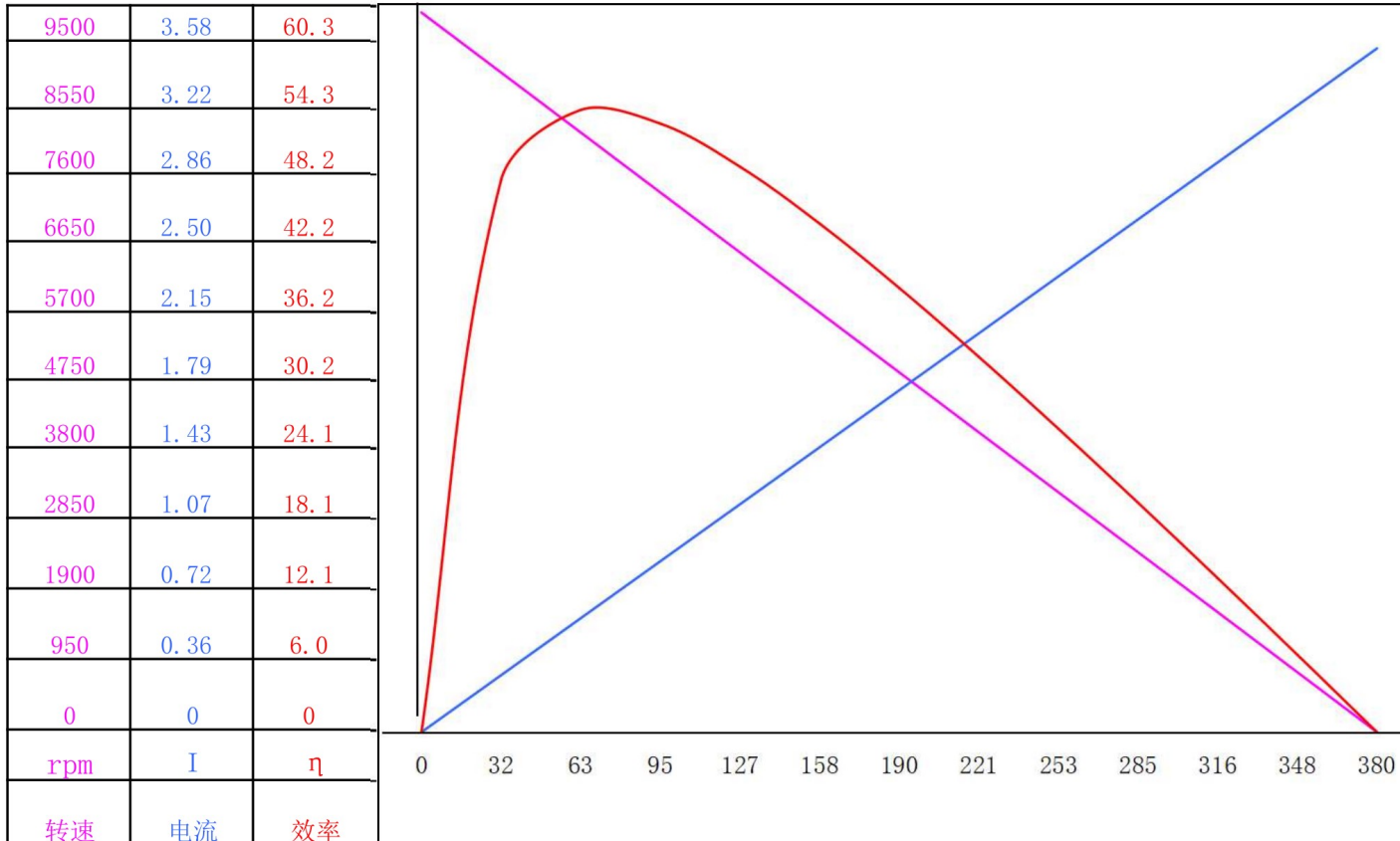
Drawn	Tony	05/09/2026	Unit: mm		
Checked	Eva	05/09/2026	Kysan Electronics www.kysanelectronics.com		
Eng Appr.					
Mfg Appr.					
Q.A.					
SKU:			Siae: A4	Weight(Kg):	
1111108			Scale		

MODEL (型号) : RS-365SH-12115

VOLTAGE (电压) : 12V/DC

CONSTANT (转向) : CCW

DATE (时间) : 2026.5.9



At No Load (空载)

SPEED (转速) : 9500 RPM
CURRENT (电流) : 0.18 AMP

At stall(Extrapolated) (失速)

TORQUE (力矩) : 379.60 G. CM
CURRENT (电流) : 3.58 AMP

At maximum efficiency (最大效率)

EFFICIENCY (效率) : 60.30 %
TORQUE (力矩) : 69.30 G. CM
SPEED (转速) : 8130 RPM
CURRENT (电流) : 0.80 AMP
QUTPUT (功率) : 5.80 WATTS

At maximum power (最大功率)

TORQUE (力矩) : 189.80 G. CM
SPEED (转速) : 4970 RPM
CURRENT (电流) : 1.88 AMP
QUTPUT (功率) : 9.69 WATTS

THE CURVES REPRESENT THE THEORENCAL PERFORMANCE OF THE SAMPLE ONLY.
曲线值表示样品的技术特性

PREPARED:

CHECKED:

APPROVED: