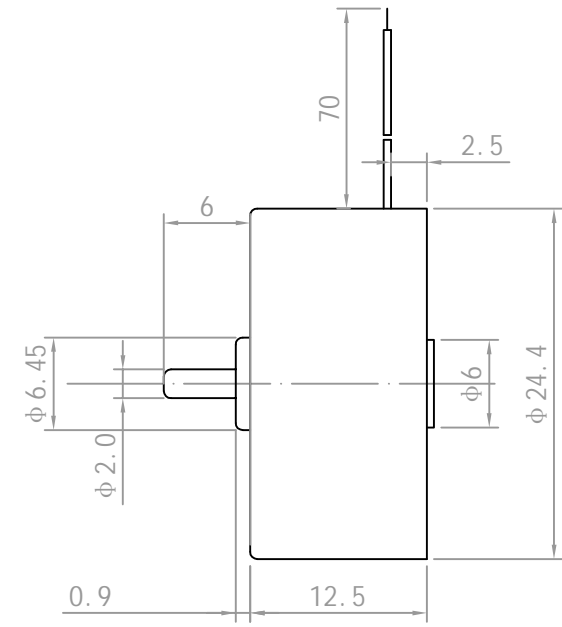
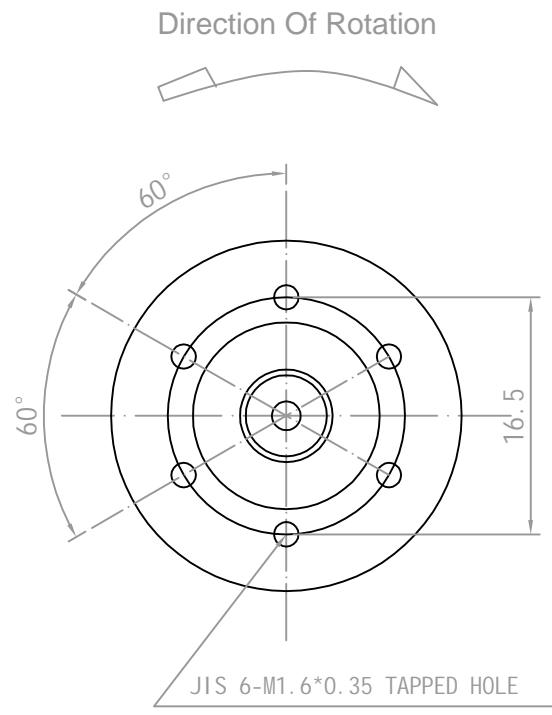


Rev.	Description	Date
01		



TOLERANCES NOT SPECIFIED:±0.2MM

No.	Item	Specification	No.	Item	Specification
1	Operating Voltage	1.2-6.0V DC	7	Stall Current	≤0.3A
2	Rated Voltage	3V DC	8	Stall Torque	≥20g.cm
3	No Load Speed	3700±10%rpm			
4	No Load Current	18mA			
5	At MAX Efficiency Speed	2970±10%rpm			
6	At MAX Efficiency Current	73mA			

Drawn	Bruce	08/28/2020	Unit: mm	
Checked			Kysan Electronics	
Eng Appr.			www.kysanelectronics.com	
Mfg Appr.			info@kysanelectronics.com	
Q.A.				
SKU: 1112002			Size :A4	Weight(Kg):
			Scale 2:1	