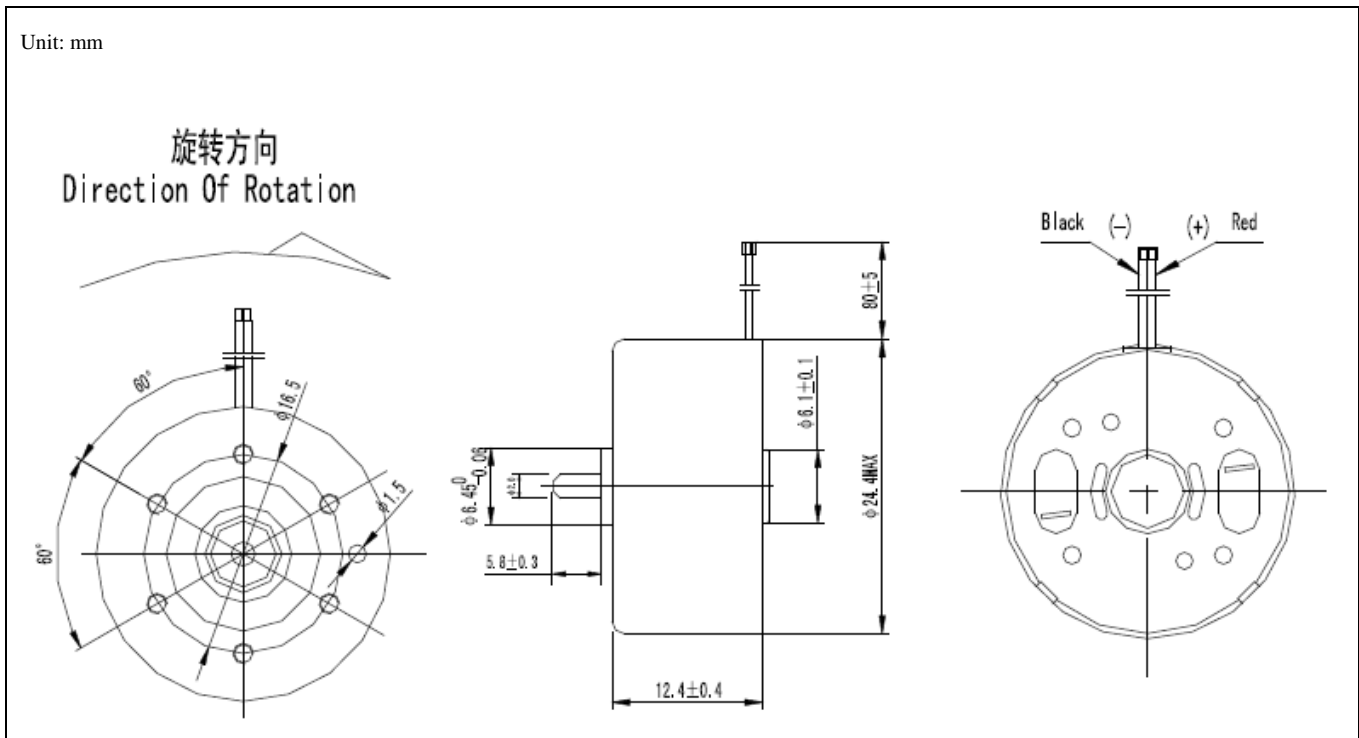


KYSAN SKU: 1112014
MFG: RF-300CA-11400-6.0C



Notes:

1. Usable machine screw length 1.0max. from motor mounting surface.

从马达的安装表面可使用螺丝有效长度最大为1.0max.

2. Allowable torque for screwing of tapped hole: 2.0kgf-cm max.

安装螺丝的最大扭力为2.0kgf-cm max.

3. No remarkable scratches or dents on the surface.

目视马达外观无伤痕状态.

4. Tolerances not otherwise specified decimal: ± 0.3 mm.

未注尺寸公差按: ± 0.3

1. 适用范围:/Scope:

The document defines the standard specifications and test Conditions for the DC micro motor model RF-300CA-11400

2. 标准使用条件:/Standard Operating Conditions :

序号/Item NO	项 目/Items	规 格/Specifications
2-1	额定电压/Rated voltage	马达端子间直流电压3.0V / DC3.0V between motor terminals
2-2	使用电压范围/ Operating Voltage Range	马达端子间直流电压1.5V ~4.0V DC 1.5 V ~4.0 V between motor terminals
2-3	额定负载/Rated Load	5.0g-cm 力矩盘负载 /5.0g-cm (by pulley load)
2-4	旋转方向/ Rotating Direction	从出力轴方向看, 顺时针和逆时针, 两方向 Direction CW & CCW when viewed from output shaft side.
2-5	使用温度范围/ Operating Temperature Range	-20° C ~ +70° C 常湿下 /At normal humidity.
2-6	保存温度范围/ Storage Temperature Range	-30° C ~ +80° C 常湿下 /At normal humidity.
2-7	马达姿势/Operating Position	出力轴全方位/ output shaft all direction

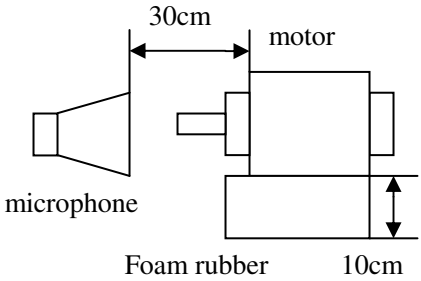
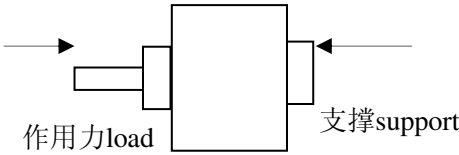
3. 测试条件: /Test Conditions:

序号/Item NO	项 目/Items	测试条件/ Test Conditions
3-1	马达姿势: / Operating Position	检查时, 出力轴水平放置/When inspected ,the shaft is horizontal .
3-2	电源: / Power Source	确保测试无问题的可调直流稳压电源/Regulated DC power supply which assures unquestionable measurement.
3-3	环境温度和湿度: Temperature & humidity	+10 °C~ +30°C 和45%~85%RH。如果判断有疑问, 则按JIS标准试验条件(+18°C ~ +22°C,60 ~ 70%RH)。In standard test, measurement is to be made at +10°C ~ +30°C and relative humidity 45%~85%RH. If the judgment is questionable, the measurement is to be made based on JIS standard testing condition(+18°C ~ +22°C,60 ~ 70%RH)
3-4	旋转方向/ Rotating Direction	从出力轴方向看为顺时针/CW when viewed from output shaft side.
3-5	外观尺寸/ Dimension	参考马达外形图/ Refer to construction drawing.

4. 电气性能:/Electrical Characteristics:

序号/Item NO	项 目/Items	测试条件 /Test conditions	规格/Specifications
4-1	额定负荷转速/ Rated Load Speed	额定电压, 额定负载/ At rated voltage and rated load	3700±370r/min
4-2	额定负荷电流/ Rated Load Current	额定电压, 额定负载/ At rated voltage and rated load	100mA 最大/ 100mA max.
4-3	空载转速/ No load Speed	额定电压, 空载/ At rated voltage and no load	3900±390r/min
4-4	空载电流/ No load Current	额定电压, 空载/ At rated voltage and no load	25mA最大/ 25mA max
4-5	起动力矩 Starting Torque	额定电压, 两点法0g-cm和4g-cm./ At rated voltage and two different load, 0g-cm and 4g-cm	15 g-cm (min.)
4-6	起动电压/ Starting Voltage	无负荷/Under no load	1.0 V最大 1.0 V (max.)
4-7	绝缘电阻/ Insulation Resistance	在马达外壳与端子间施加DC 250 V电压/ Measured between terminal and frame with 250V DC megger.	10.0 MΩ最小 10.0 MΩ(min.)
4-8	起动电流/ Starting Current	额定电压, 转子在2/3R位置 (R为一极的电 阻) /At rated voltage, rotor position to be 2/3R.(R means the resistance in one pole)	330mA最大/ 330mA max.
4-9	电气噪音/ Electrical Noise		已装有噪声抑制元件压敏 电阻器 To be equipped with varistor
4-10	参考特性曲线/ Reference Characteristic Curve		参见附图/ See attached drawing

5. 机械性能:/Mechanical & Functional Characteristics:

序号/Item NO	项 目/Items	测试条件/ Test conditions	规格/Specifications
5-1	外观/ External Appearance	目视 / Visual	适合使用 /Appropriate for usage.
5-2	轴向间隙/ Shaft end play	用百分表测试 / Measured by dial gauge.	0.05 ~ 0.35 mm
5-3	轴伸径向圆跳动 /Shaft T.I.R	从安装天面5.0mm处用百分表测试 /5mm from mounting surface by dial gauge.	0.03 mm 最大 /Less than 0.03 mm.
5-4	马达重量 /Weight	天平称量/Measured by scale.	约 20g / Approx. 20g
5-5	机械噪声/ Mechanical noise	<p>在下列条件时:电机施加额定电压, 空载. 背景噪声:35 dB (max.) No load, rated voltage, with motor to be set and measured as below. Background noise:35 dB max.</p> 	45dB max. JIS-A(RMS)
5-6	最大轴向力/ Maximum Axial Load	<p>轴向静推力的方向和支撑位置如下图所示: Direction of static load and support of load as shown below.</p> 	10 Kg max

6. 寿命试验:/Life Test

序号/Item NO	项 目/Items	测试条件/ Test conditions	规格/Specifications
6-1	连续工作试验 /Life test	1.DC3.0V, 5gf-cm 2.环境：25□±5□/65%±20%RH 3.试验模式：如下图 4. 预期寿命： 不少于500小时 1. DC3.0V, 5gf-cm 2. Environment: 25□±5□/65%±20%RH 3. Duty Cycle: As sketched below 4. Life Expectancy: 500hours(min.)	1.额定负荷转速相对初始数值变化超±30% 2.额定负荷电流相对初始数值变化超±30% 3.马达有了明显的不正常现象/ 1.Rated load speed varies more than ±30% from the initial . 2.Rated load current varies more than ±30% from the initial . 3.Motor gets apparently recognized to be unusable.

Torque Curve Diagram

