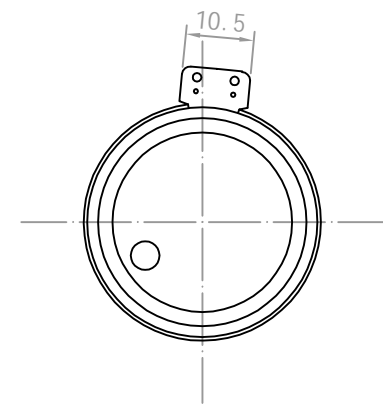
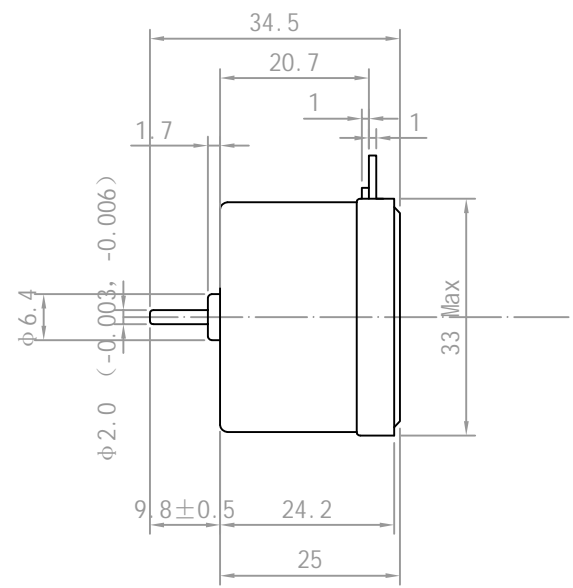
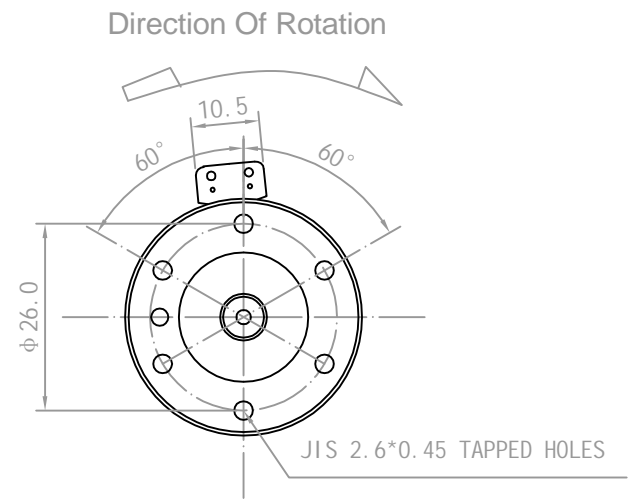


Rev.	Description	Date
01		



- Notes:
1. Allowable torque for screwing of tapped hole: 2.5kgf-cm max
 2. Tolerances not otherwise specified decimal: ±0.3mm
 3. Use AN6651 IC

No.	Item	Specification	No.	Item	Specification
1	Operating Voltage	3.4-15.6V DC	7	Rated Torque	10g. cm
2	Rated Voltage	12V DC	8	Starting Torque	80g. cm Min
3	No Load Speed	2400±8%RPM	9	Starting Voltage	4.0V Max
4	No Load Current	30mA Max	10	Starting Current	0.7A Max
5	Rated Speed	2400±8%RPM			
6	Rated Current	120mA Max			

Drawn	Bruce	05/16/2017	Unit: mm Kysan Electronics www.kysanelectronics.com info@kysanelectronics.com		
Checked	Eva	05/16/2017			
Eng Appr.					
Mfg Appr.					
Q.A.					
SKU:			Size :A4	Weight(Kg):	
1112020			Scale 1:1		