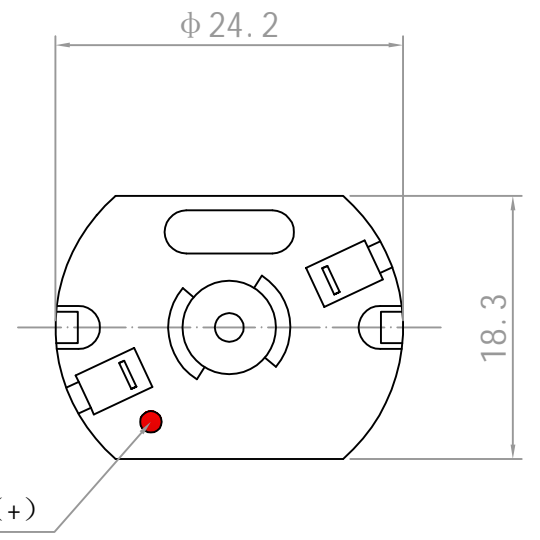
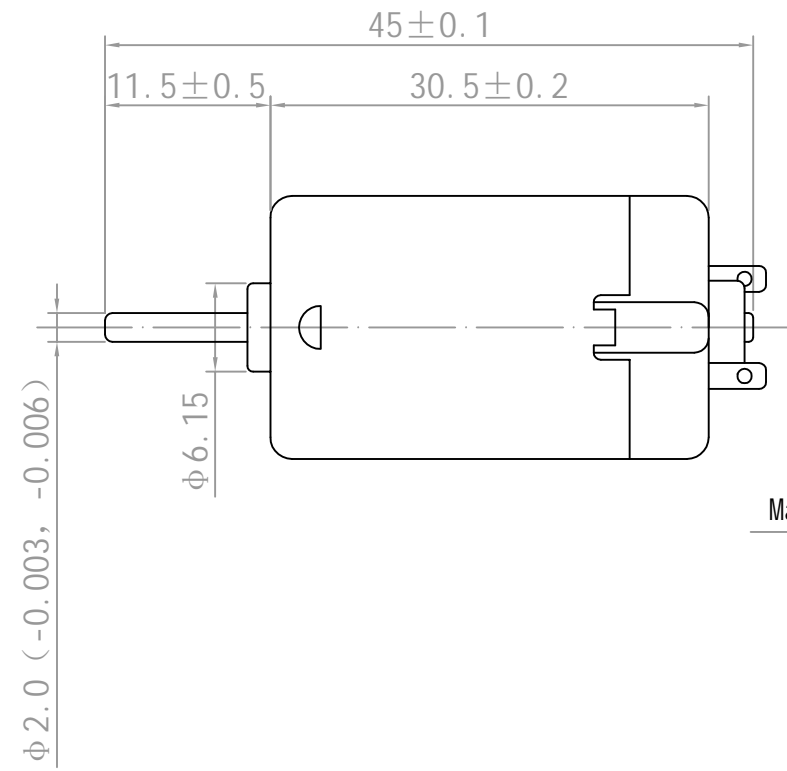
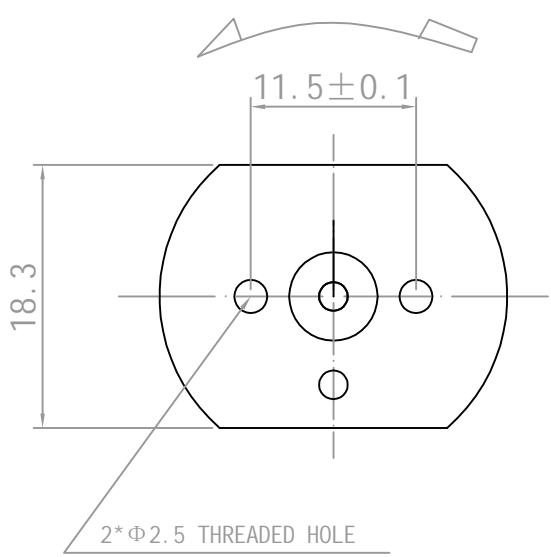


Rev.	Description	Date
01		

D

D

Direction Of Rotation



C

C

B

B

No.	Item	Specification	No.	Item	Specification
1	Rated Voltage	12V DC	7	No Load Speed	10500 ± 10% rpm
2	Operating Voltage Range	8.0-14.0V DC	8	No Load Current	≤ 110mA
3	Rated Load	20g. cm	9	Starting Voltage	≤ 1.5V DC
4	Direction Of Rotation	CCW	10	Insulation Resistance	1MΩ Min
5	Rated Speed	9500 ± 10% rpm			
6	Rated Current	≤ 320mA			

Drawn	Bruce	03/29/2017	Unit: mm	
Checked	Eva	03/29/2017	<b>Kysan Electronics</b> www.kysanelectronics.com info@kysanelectronics.com	
Eng Appr.				
Mfg Appr.				
Q.A.				
<b>SKU: 1112028</b>			Size :A4	Weight(Kg):
			Scale 2:1	

A

A

8

7

6

5

4

3

2

1