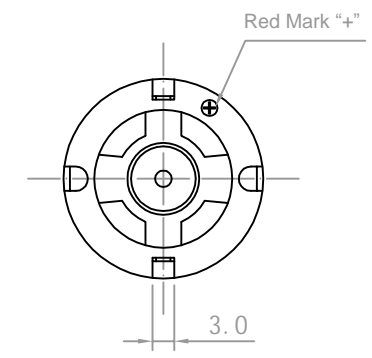
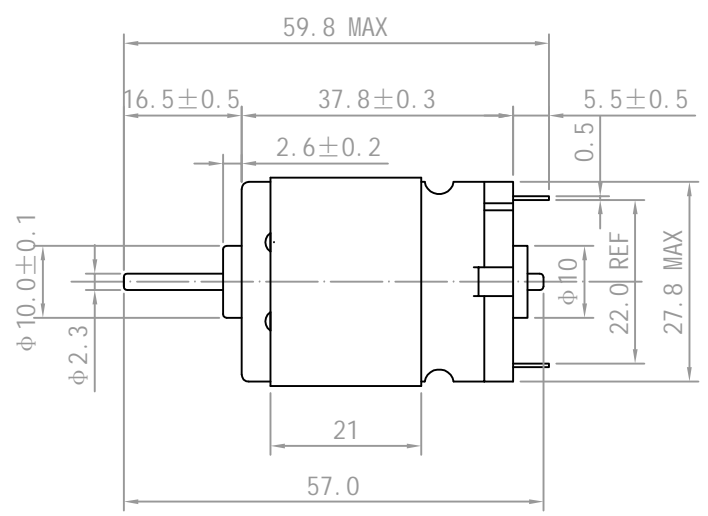
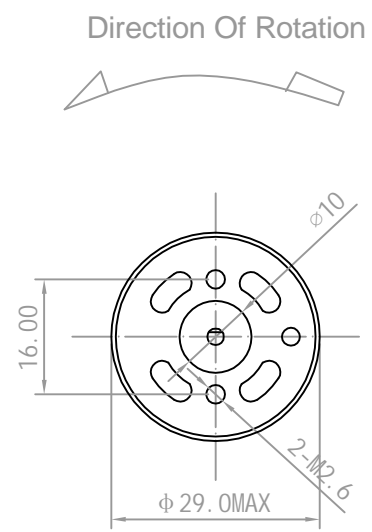


| Rev. | Description | Date |
|------|-------------|------|
| 01   |             |      |



| No. | Item              | Specification | No. | Item                  | Specification |
|-----|-------------------|---------------|-----|-----------------------|---------------|
| 1   | Rated Voltage     | 24V DC        | 7   | Rated Torque          | 85g.cm        |
| 2   | Operating Voltage | 18-24V DC     | 8   | Stall Current         | 1.8A          |
| 3   | No Load Speed     | 8500 ± 10%rpm | 9   | Stall Torque          | 450g.cm       |
| 4   | No Load Current   | 0.15A MAX     | 10  | Direction Of Rotation | CCW           |
| 5   | Rated Speed       | 6880 ± 10%rpm |     |                       |               |
| 6   | Rated Current     | 0.64A MAX     |     |                       |               |

|           |       |            |                           |            |
|-----------|-------|------------|---------------------------|------------|
| Drawn     | Bruce | 04/20/2021 | Unit: mm                  |            |
| Checked   |       |            | Kysan Electronics         |            |
| Eng Appr. |       |            | www.kysanelectronics.com  |            |
| Mfg Appr. |       |            | info@kysanelectronics.com |            |
| Q.A.      |       |            |                           |            |
| SKU:      |       |            | Size :A4                  | Weight(g): |
| 1112048   |       |            | Scale 1:1                 |            |