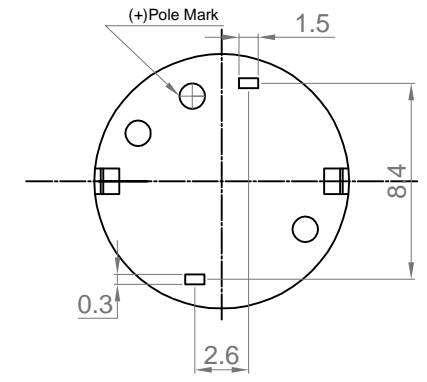
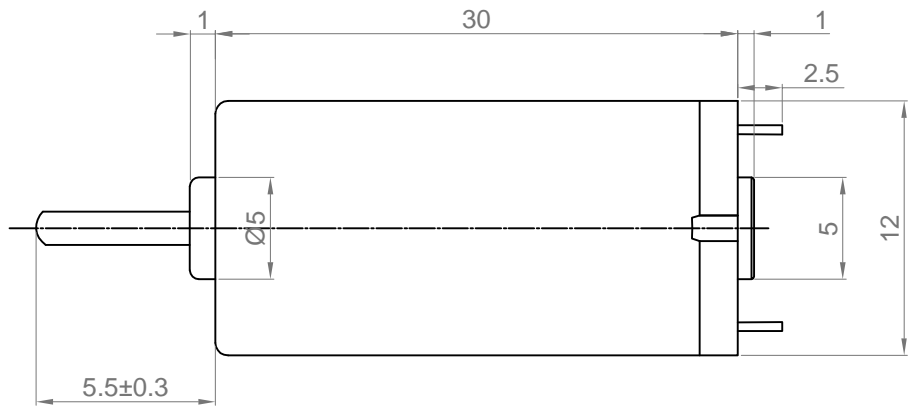
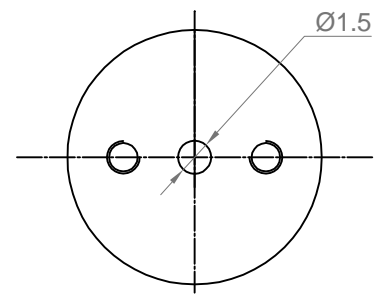


Rev.	Description	Date
01	Release for Production	07/24/2012

Direction of Rotation



NO.	Item	Specification	NO.	Item	Specification
1	Rated Voltage	2.4 VDC	7	Rated Torque	5 g.cm
2	Voltage Range	2.0VDC~3.0VDC	8	Stall Current	1.7 A
3	No Load Current	0.013 A			
4	No Load Speed	13000±10% RPM			
5	Rated Speed	10000±10% RPM			
6	Rated Current	0.45 A			

Drawn	L	04/09/2016	<b>Kysan Electronics</b> <a href="http://www.kysanelectronics.com">www.kysanelectronics.com</a>		
Checked					
Eng Appr.					
Mfg Appr.					
Q.A.			<a href="mailto:info@kysanelectronics.com">info@kysanelectronics.com</a>		
SKU	<b>1112086</b>		Size : A4	Weight(Kg):0.5	Unit: mm
			Scale: 3:1		Sheet 1of 1