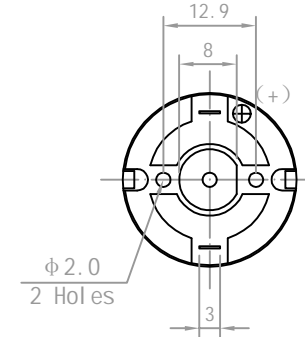
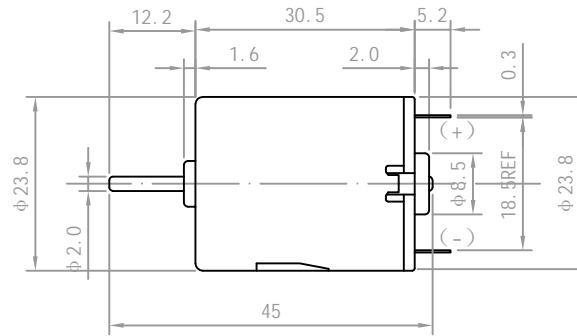
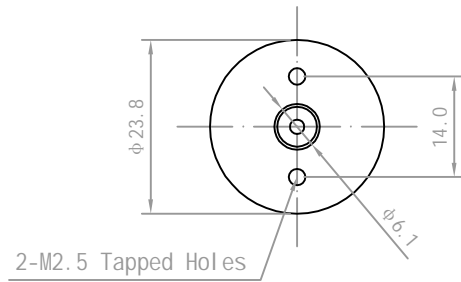


Rev.	Description	Date
01		

Direction Of Rotation



No.	Item	Specification	No.	Item	Specification
1	Operating Voltage	6-9V DC	7	Rated Torque	33.3g.cm
2	Rated Voltage	7.2V DC	8	Stall Current	≤6.6A
3	No Load Speed	16800±10%rpm			
4	No Load Current	≤0.21A			
5	Rated Speed	14260±10%rpm			
6	Rated Current	≤1.18A			

Drawn	Bruce	04/30/2019	Unit: mm	
Checked			Kysan Electronics	
Eng Appr.			www.kysanelectronics.com	
Mfg Appr.			info@kysanelectronics.com	
Q.A.				
SKU: 1112103			Size :A4	Weight(g):
			Scale 1:1	