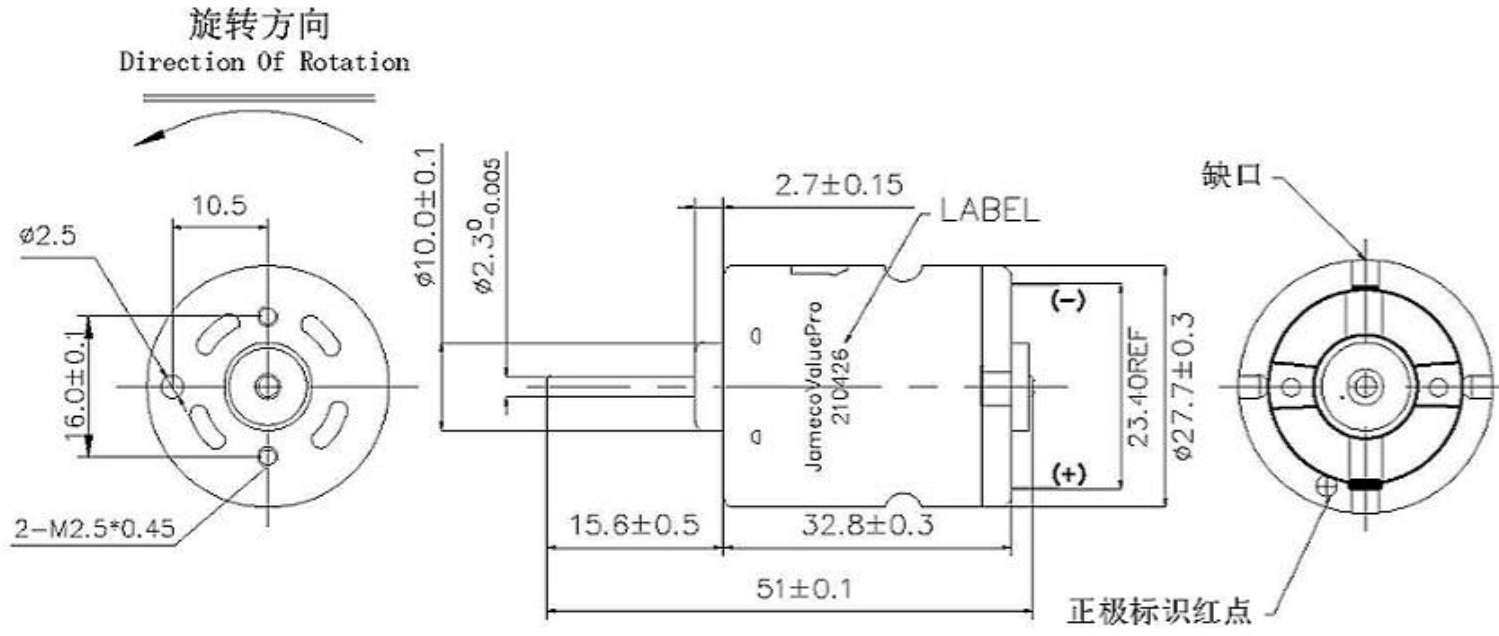


Rev.	Description	Date
01		

DC MOTOR SPECIFICATION



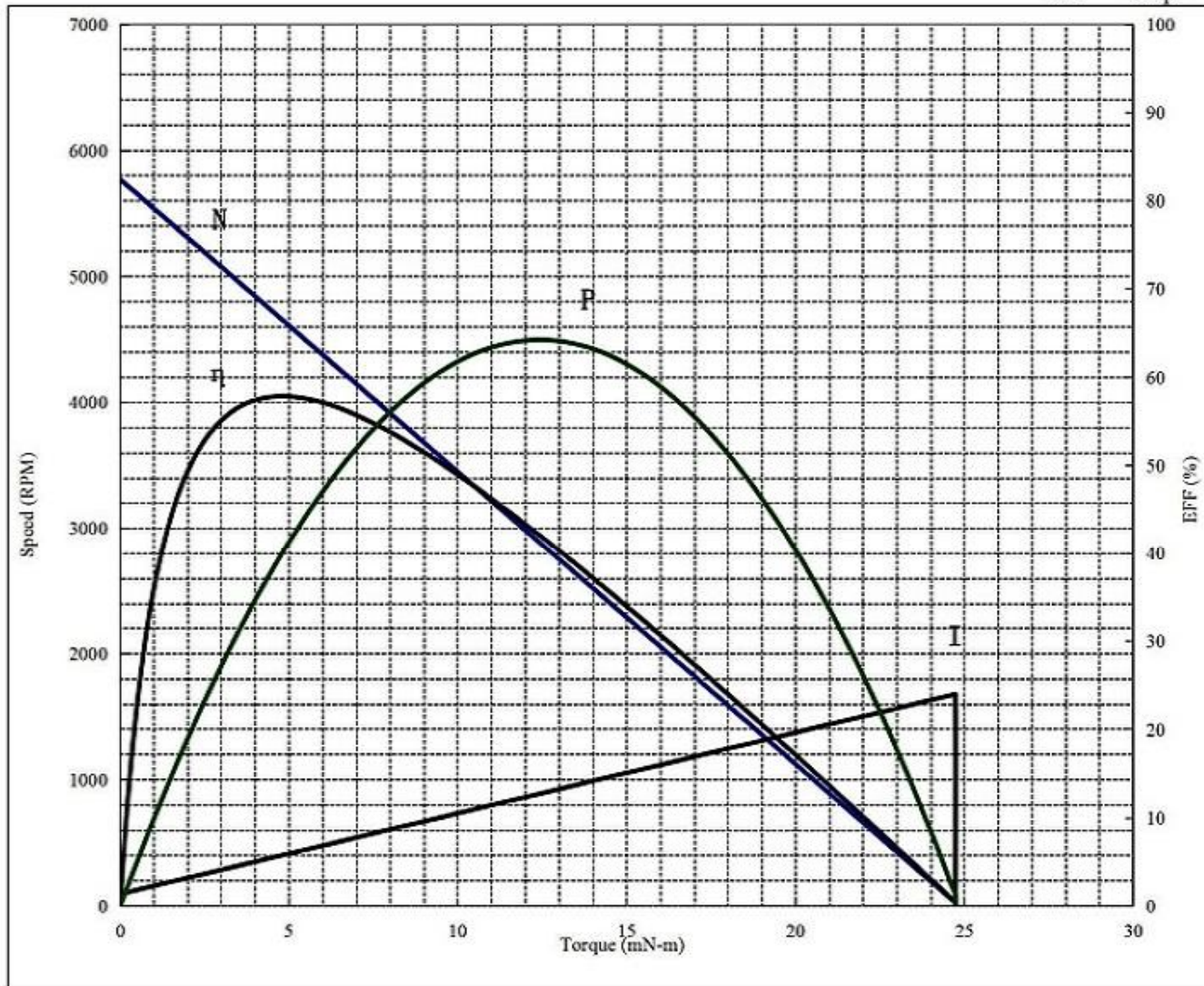
No.	Item	Specification	No.	Item	Specification
1	Rated Voltage	12V DC	7	Stall Current	2.2A MAX
2	No Load Speed	6000 \pm 10%rpm	8	Stall Torque	230g. cm MIN
3	No Load Current	\leq 120mA	9	Direction Of Rotation	CCW
4	Rated Speed	4800 \pm 10%rpm			
5	Rated Current	\leq 420mA			
6	Rated Torque	50g. cm			

Drawn	Bruce	01/21/2022	Unit: mm	
Checked			Kysan Electronics www.kysanelectronics.com info@kysanelectronics.com	
Eng Appr.				
Mfg Appr.				
Q. A.				
SKU:	1112139		Size :A4	Weight (Kg):
			Scale	

Model: 1112139

Date :

Full scale : 100 % Eff
 5.0 Watts
 5.0 Amp.



Performance (in an ambient temperature of 25-30 ° C)

Motor tested rapidly to prevent significant temperature rise.

At a constant voltage of 12.0 Volts

Direction : CCW

At No Load

Speed :	5771	RPM
Current :	0.069	AMPS

At stall (Extrapolated)

Torque :	24.85	mN-m
Current :	1.205	AMPS

At maximum efficiency

Efficiency:	57.9	%
Torque :	4.798	mN-m
Speed :	4657	RPM
Current :	0.288	AMPS
Output :	2.00	Watts

At maximum Power output

Output :	3.213	Watts
Torque :	12.424	mN-m
Speed :	3236	RPM
Current :	0.57	AMPS

Characteristics

Torque constant K_t :	21.875	mN-m/AMP
E.M.F. constant E_c :	21.875	mV/rad/sec
Dynamic resistance:	9.9590	Ohms
Motor regulation M_r :	232.24	RPM/mN-m