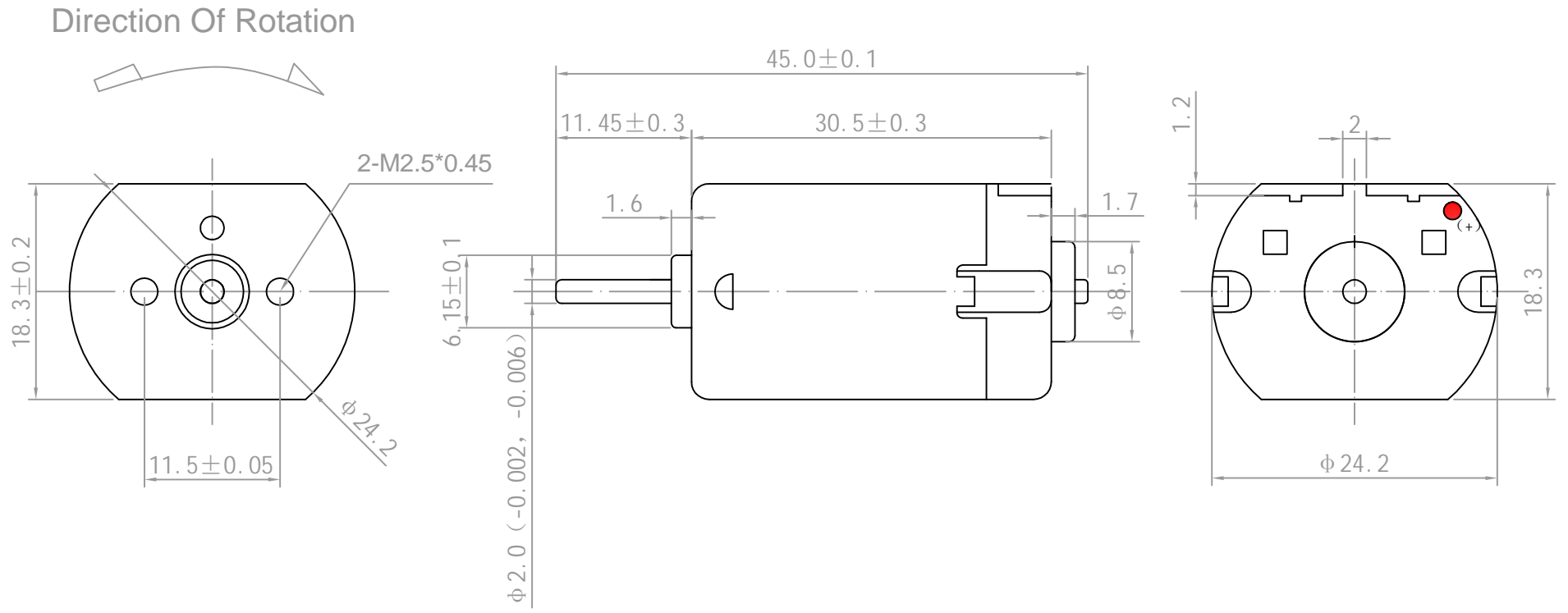


Rev.	Description	Date
01		

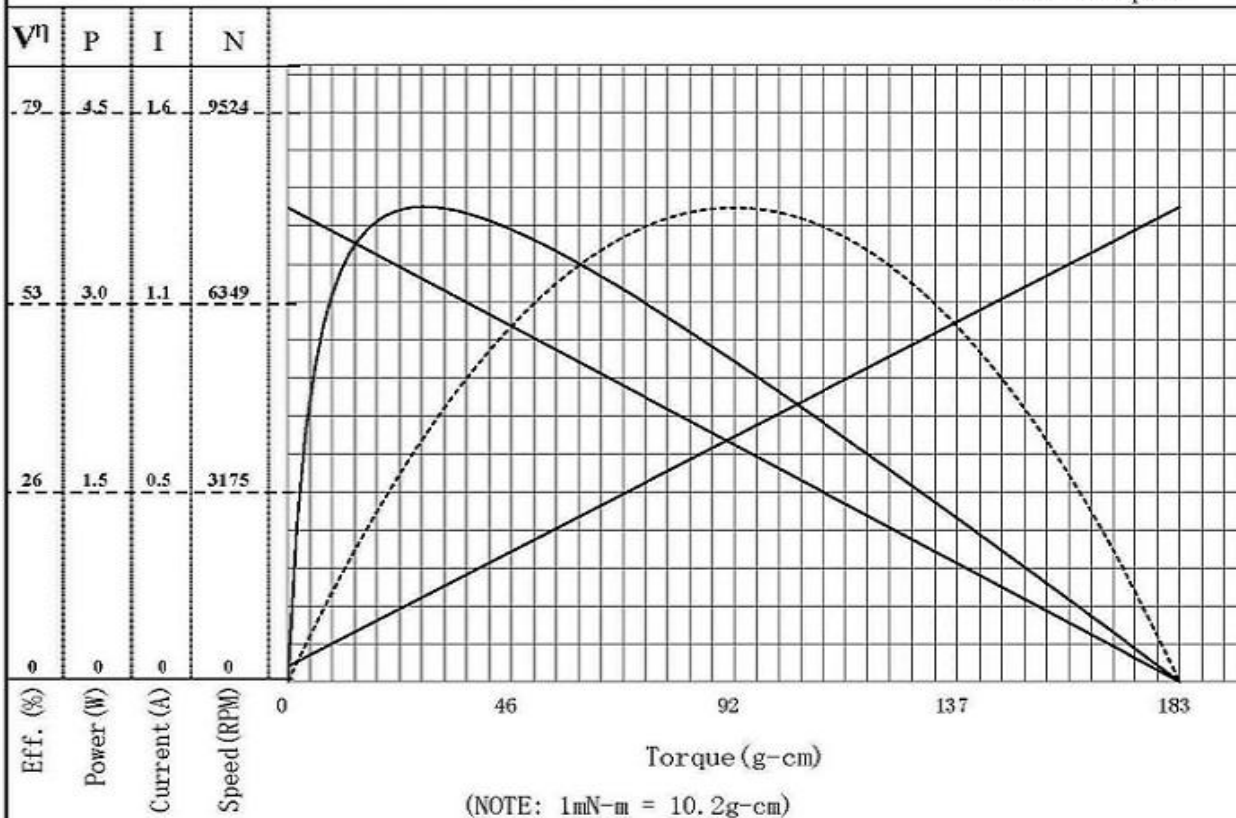


No.	Item	Specification	No.	Item	Specification
1	Rated Voltage	12V DC	7	Stall Current	2A
2	No Load Speed	7900±10%rpm	8	Stall Torque	185g.cm
3	No Load Current	≤55mA	9	Direction Of Rotation	CW
4	Rated Speed	6600±10%rpm			
5	Rated Current	≤330mA			
6	Rated Load	33g.cm			

Drawn	Bruce	09/29/2020	Unit: mm	
Checked			Kysan Electronics	
Eng Appr.			www.kysanelectronics.com	
Mfg Appr.			info@kysanelectronics.com	
Q.A.			Size :A4	Weight(Kg):
SKU:			Scale 2:1	
1112141				

Sample No: 0 Customer Date: 2020.09.28
 Model: FC-280SC-16220 Efficiency
 Power output

NOTE: Performance(in an ambient temperature of 25-30°C)
 Motor tested rapidly to prevent significant temperature rise.



Constant voltage : 12.0 V_{DC}
 Direction: CW

At No Load
 Speed: 7929 rpm
 Current: 0.044 A

At stall (Extrapolated)
 Torque: 183.2 g-cm
 Current: 1.35 A

At maximum efficiency
 Efficiency: 65.8 %
 Torque: 27.5 g-cm
 Speed: 6739 rpm
 Current: 0.24 A
 Output: 1.90 W

At maximum Power output
 Output: 3.73 W
 Torque: 91.6 g-cm
 Speed: 3965 rpm
 Current: 0.70 A

Issued by QA Reliability Testing Center

COMPUTER PRINT-OUT

NOMINAL MOTOR CURVES

Performance and characteristics are measured based on limited motor samples only

Prepared by: 罗亚军

Checked by:

Approved by:

Date: 2020.09.28