

8

7

6

5

4

3

DWG NO **TLC4040**

SH 1 REV A

REVISION HISTORY

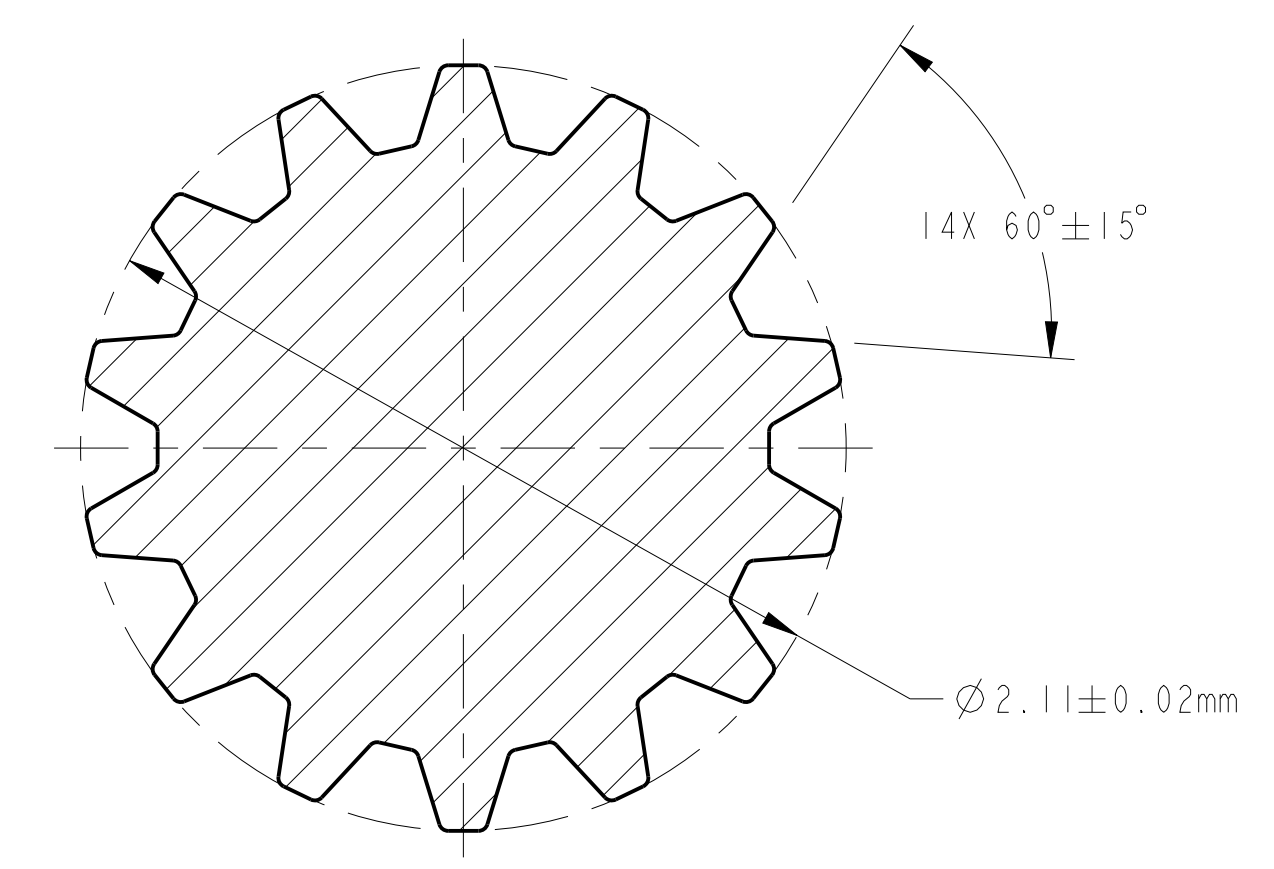
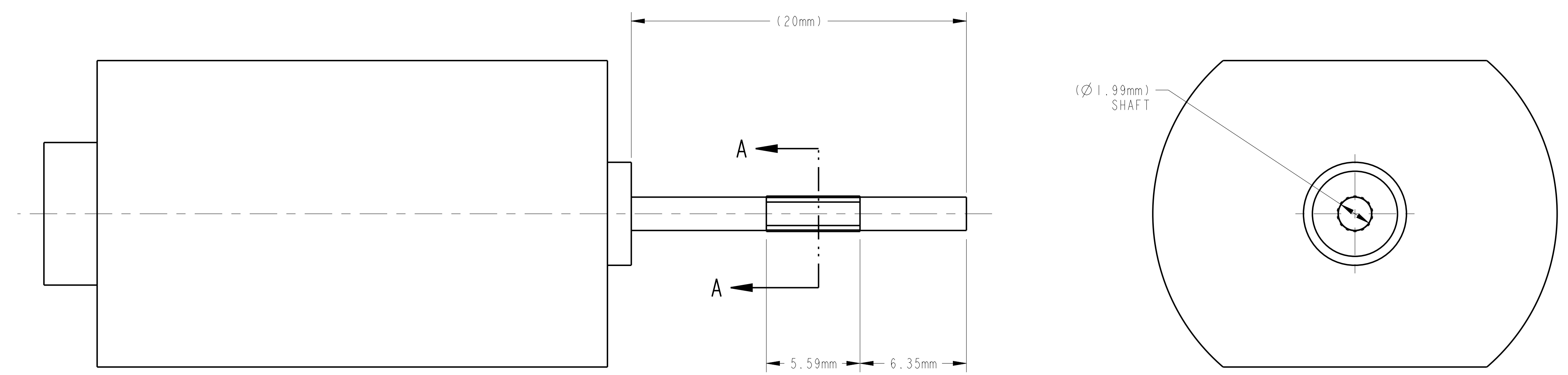
ZONE	REV	DESCRIPTION	DATE	APPROVED
		Pre-release	2010-10-28	CMCP

THE INFORMATION CONTAINED IN THIS DRAWING IS THE SOLE PROPERTY OF BATTELLE MEMORIAL INSTITUTE. ANY REPRODUCTION IN PART OR WHOLE WITHOUT THE WRITTEN PERMISSION OF BATTELLE MEMORIAL INSTITUTE IS PROHIBITED.

DISTRIBUTION AUTHORIZED TO US DEPARTMENT OF DEFENSE AND DOD CONTRACTORS ONLY (CRITICAL TECHNOLOGY) (12 FEB 04)

NOTES:

- APPLICABLE STANDARDS/SPECIFICATIONS
ASME Y14.5M-1994, DIMENSIONS AND TOLERANCES
ASME Y14.38, ABBREVIATIONS



SECTION A-A
SCALE 48/1

ALTERED ITEM DRAWING

QTY. REQD	PART OR IDENTIFYING NO	CAGE CODE	NOMENCLATURE OR DESCRIPTION	MATERIAL SPECIFICATION
	TLC4040-01	79986	MODIFIED SHAFT, DC MOTOR, DOOR LOCK	SEE NOTE 4

UNLESS OTHERWISE SPECIFIED DIMENSIONS ARE IN MM TOLERANCES ARE: DECIMAL: .XX ±0.25 .XXX ±0.130 FRACTIONAL: ±1/32 ANGULAR: ±0.5° THIRD ANGLE PROJECTION		CONTRACT NO	Battelle <i>The Business of Innovation</i> 505 King Avenue Columbus, Ohio 43201-2693 Telephone (614) 424-6424	
APPROVAL	DATE	TITLE MODIFIED SHAFT, DC MOTOR, DOOR LOCK		
DRAWN KAR	2010-10-28	SIZE	CAGE CODE	DWG NO
CHECKED		D	79986	TLC4040
ENGINEER		SCALE	6/1	CALC. WT.
NEXT ASSY	USED ON	SHEET 1 OF 1		
APPLICATION				

COMPUTER FILE NAME: REVISION: VERSION
DRAWING TLC4040-A.0+
MODEL PART TLC4040-A.0+

8

7

6

5

4

3

2

1