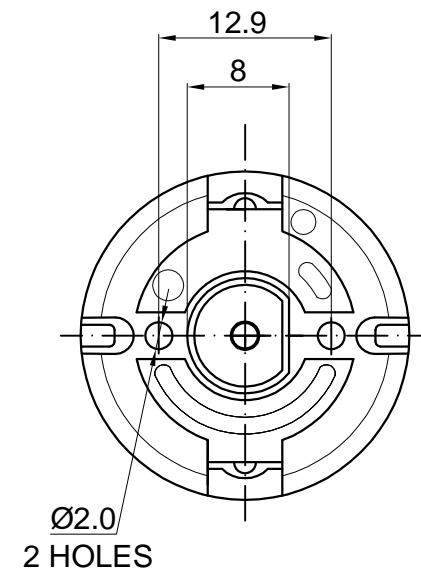
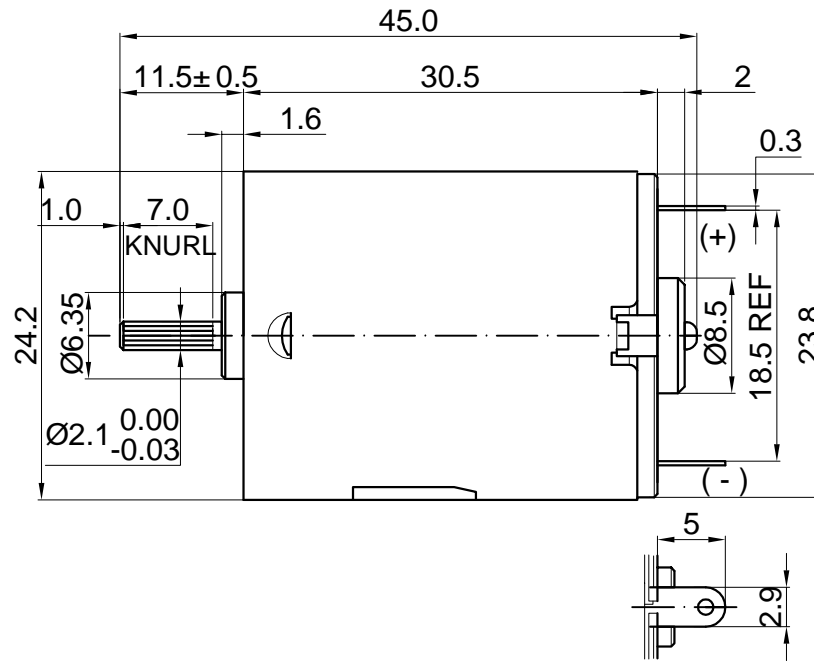
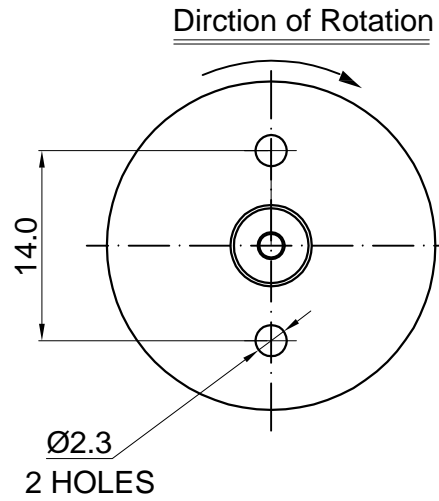


NO.	ITEM	SPECIFICATION
1	Rated Voltage	6 VDC
2	Rated Current	1.6 A max
3	Rated Torque	45.5 g.cm
4	Rated Speed	11910 RPM
5	Direction of Rotation	CW
6	No Load Current	0.28 A
7	No Load Speed	14000 RPM
8	Operating Voltage Range	4.5~9 VDC
9	Stall Torque	305 g.cm
10	Stall Current	9.1 A
11	Output	5.56 W

Rev.	Revision	Date
01	Update	6/28/2011



DRAWN	Amily	6/28/2011
CHECKED	Sara	6/28/2011
ENG APPR.		
MFG APPR.		
Q.A.		

UNIT: mm

Kysan Electronics

RC-280SA-2865

SIZE
A4

Kysan SKU
1112344

REV
01

SCALE: 4:1

Weight(kg): 0.1

SHEET 1 OF 1