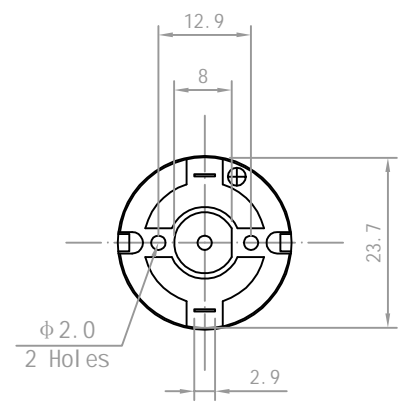
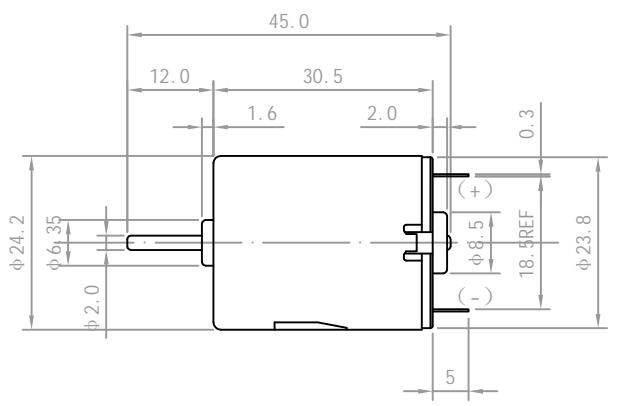
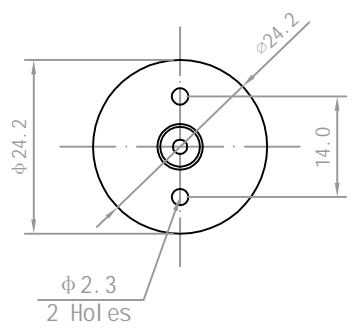


Rev.	Description	Date
01		

Direction Of Rotation



No.	Item	Specification	No.	Item	Specification
1	Operating Voltage	1.5-4.5V DC	7	Rated Torque	26.3g.cm
2	Rated Voltage	3V DC	8	Stall Current	4.8A
3	No Load Speed	7100±10%rpm	9	Stall Torque	170g.cm
4	No Load Current	0.16A			
5	Rated Speed	6000±10%rpm			
6	Rated Current	0.88A			

Drawn	Bruce	01/28/2018	Unit: mm Kysan Electronics www.kysanelectronics.com info@kysanelectronics.com	
Checked	Eva	01/28/2018		
Eng Appr.				
Mfg Appr.				
Q.A.				
SKU: 1112346			Size :A4	Weight(g):
			Scale 1:1	