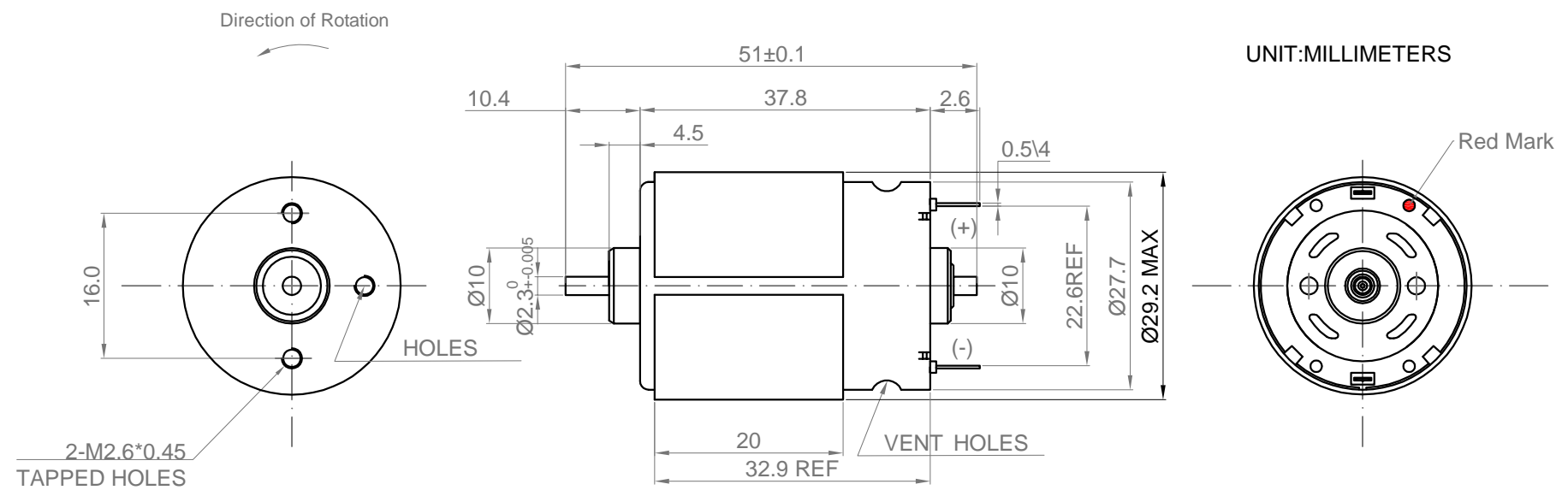


Rev.	Description	Date
01	Release for Production	25/3/2013



NO.	Item	Specification	NO.	Item	Specification
1	Nominal Voltage	24 V	7	Rated Torque	8.3 mN-M
2	Operating Voltage	12-30 V	8	Output	6.44W
3	No-load Speed	8700± 10%rpm	9	Stall Current	2.35A
4	No-load Current	0.07A	10	Stall Toreque	56.4 mN-M
5	Rated Speed	7420± 10%rpm	11		
6	Rated Current	0.41A			

Drawn	Lawrence	08/06/2015	<b>Kysan Electronics</b> <a href="http://www.kysanelectronics.com">www.kysanelectronics.com</a> <a href="mailto:info@kysanelectronics.com">info@kysanelectronics.com</a>		
Checked					
Eng Appr.					
Mfg Appr.					
Q.A.					
SKU	1112353		Size : A4	Weight(Kg):	Unit: mm
			Scale:1:1.5		