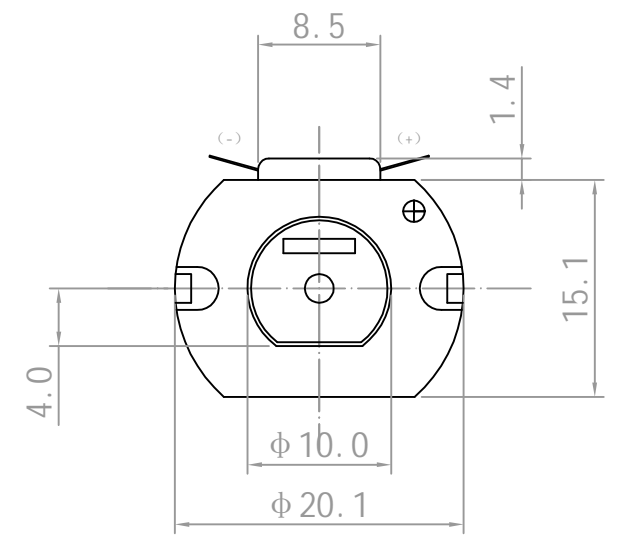
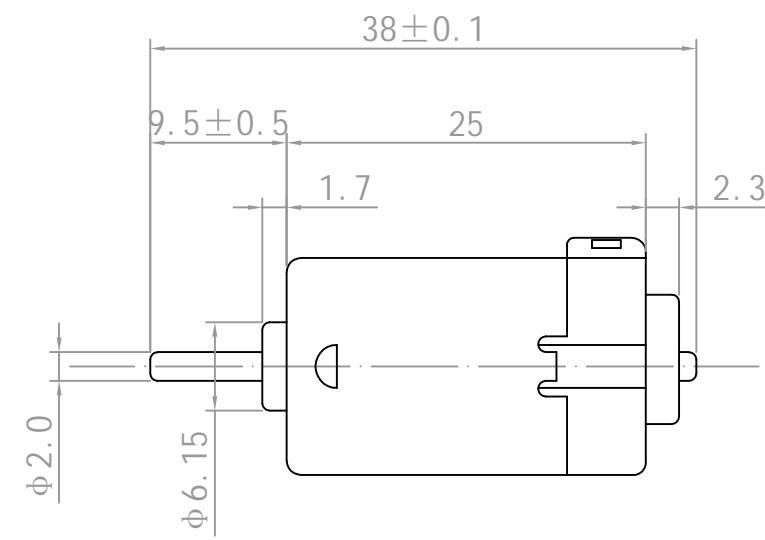
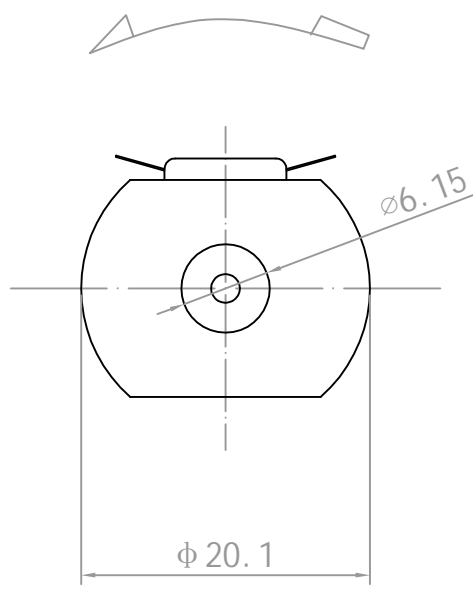


Rev.	Description	Date
01		

Direction Of Rotation



No.	Item	Specification	No.	Item	Specification
1	Rated Voltage	6V DC	7	Stall Current	≤ 0.26A
2	No Load Speed	5000 ± 10% rpm	8	Stall Torque	≥ 18g.cm
3	No Load Current	≤ 30mA	9	Direction Of Rotation	CCW
4	Rated Speed	3850 ± 10% rpm	10		
5	Rated Current	≤ 100mA			
6	Rated Torque	5.2g.cm			

Drawn	Bruce	04/16/2019	Unit: mm	
Checked			Kysan Electronics	
Eng Appr.			www.kysanelectronics.com	
Mfg Appr.			info@kysanelectronics.com	
Q.A.				
SKU: 1112390			Size :A4	Weight(Kg):
			Scale 2:1	