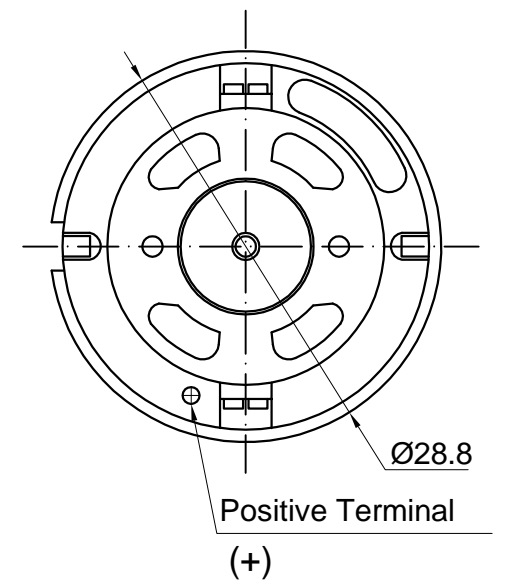
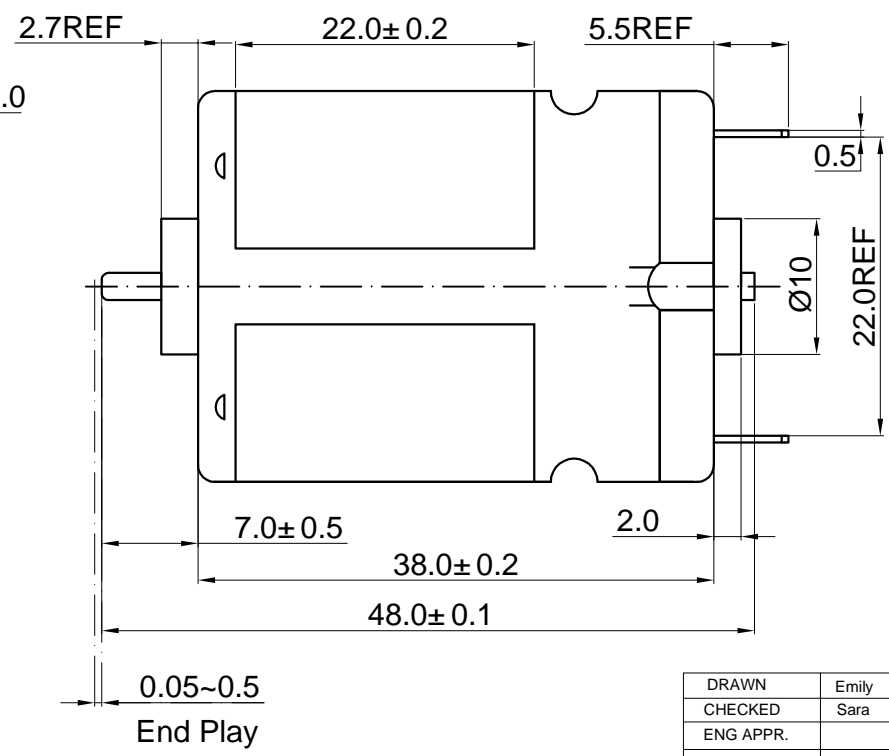
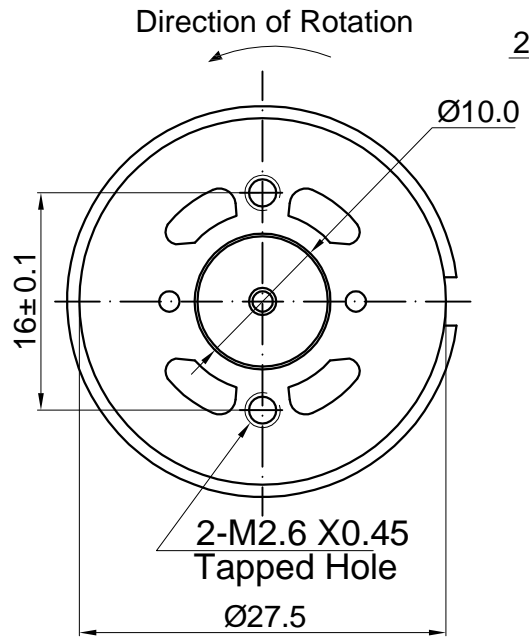
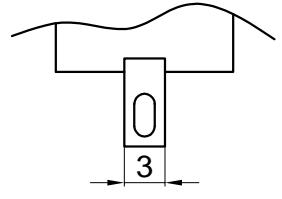


NO.	ITEM	SPECIFICATION
1	Rated Voltage	3.6 VDC
2	Direction of Rotation	CCW
3	No Load Current	1.2 A max
4	No Load Speed	12800 RPM \pm 10%
5	Rated Torque	126.11 g.cm
6	Rated Current	8 A max
7	Rated Speed	10000 RPM \pm 10%
8	Stall Torque	639.2 g.cm
9	Stall Current	24.11 A

Rev.	Revision	Date
01	Update	11/2/2011



DRAWN	Emily	11/2/2011
CHECKED	Sara	11/2/2011
ENG APPR.		
MFG APPR.		
Q.A.		

SKU
1112402

UNIT: mm		
Kysan Electronics		
SIZE A4	Email info@kysanelectronics.com	REV 01
SCALE: 4:1	Weight(kg):	SHEET 1 OF 1