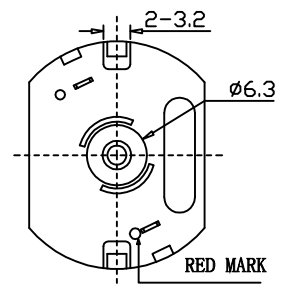
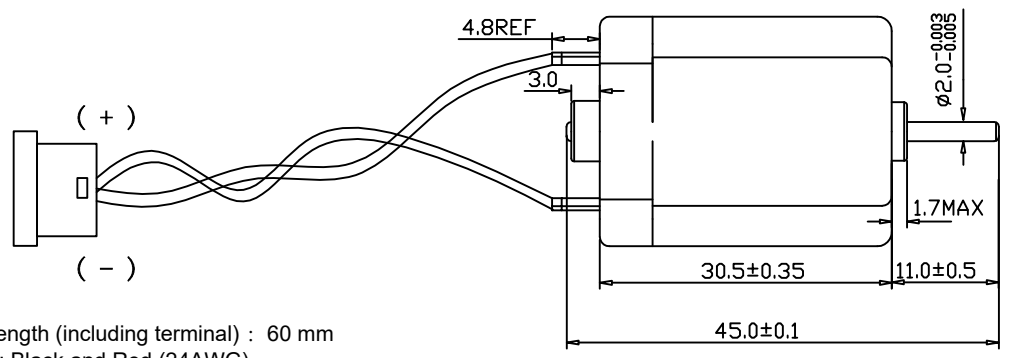
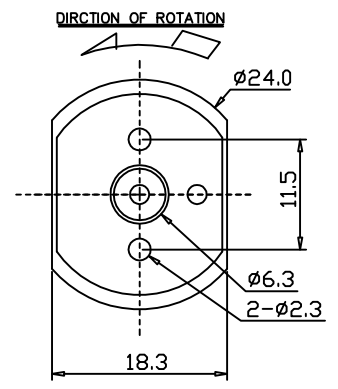


Rev.	Description	Date
00	Release for production	08/19/2014



Line length (including terminal) : 60 mm  
Wires: Black and Red (24AWG)

Connector : 2.0W-B Conn Receptacle  
Molex P/N: 51065-0200  
Digikey P/N: WM19009-ND

NO.	Item	Specification	NO.	Item	Specification
1	Rated Voltage	6 V	7	Out Put Power	2.39±15%W
2	Voltage Range	3~9 V	8	Torque	28±15%G-CM
3	No Load Current	0.14 A Max	9	Stall Current	3.25 A Max
4	No Load Speed	9800 ±10% RPM	10	Stall Torque	182G-CM
5	Current(Max Eff)	0.72 A Max			
6	Speed (Max Eff)	8200 ± 10% RPM			

Unit: mm		
Drawn		
Checked	Lawrence	10/28/2016
Eng Appr.		
Mfg Appr.		
Q.A.		
SKU	1112447	Size :A4 Scale 1:1
		Weight(Kg):

**Kysan Electronics**  
[www.kysanelectronics.com](http://www.kysanelectronics.com)  
[info@kysanelectronics.com](mailto:info@kysanelectronics.com)