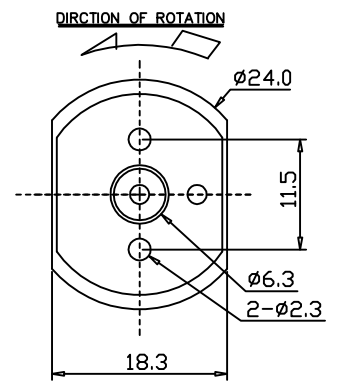
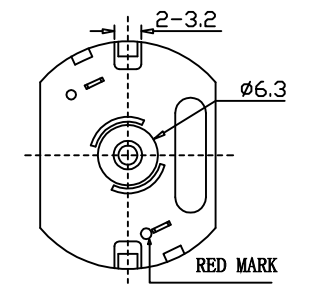
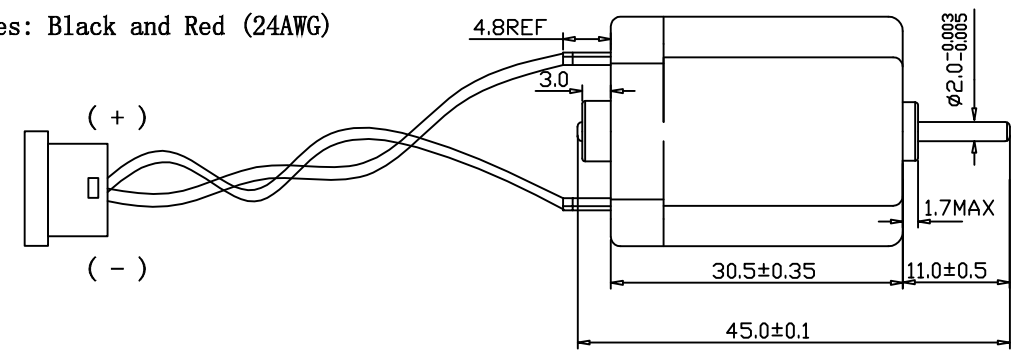


Rev.	Description	Date
00	Release for production	08/19/2014



Wires: Black and Red (24AWG)



Connector : 2.0W-B Conn Receptacle  
 Molex P/N: 51065-0200  
 Digikey P/N: WM19009-ND

NO.	Item	Specification	NO.	Item	Specification
1	Rated Voltage	6 V	7	Out Put	$2.39 \pm 15\% W$
2	Voltage Range	3~9 V	8	Torque	$28 \pm 15\% G-CM$
3	No Load Current	0.14 A Max	9	Rated Current	3.25 A Max
4	No Load Speed	$9800 \pm 10\% RPM$	10	Rated Torque	182G-CM
5	Rated Current	0.72 A Max			
6	Rated Speed	$8200 \pm 10\% RPM$			

Unit: mm		
Drawn		
Checked	Lawrence	10/28/2016
Eng Appr.		
Mfg Appr.		
Q.A.		
SKU	1112447	Size :A4
		Scale 1:1
		Weight(Kg):