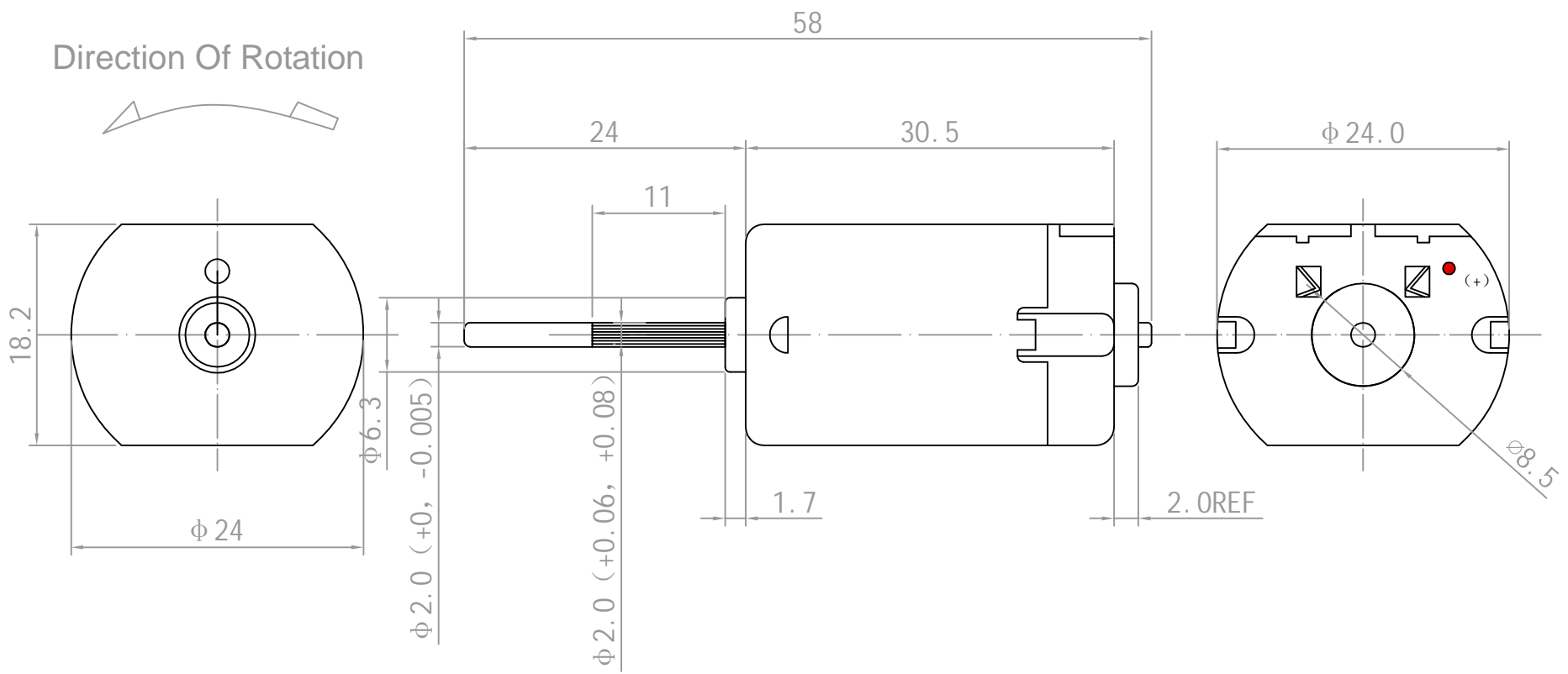


Rev.	Description	Date
01		



No.	Item	Specification	No.	Item	Specification
1	Rated Voltage	12V DC	7	Stall Current	$\leq 4.54A$
2	No Load Speed	$13700 \pm 10\%$ rpm	8	Stall Torque	362g.cm
3	No Load Current	$\leq 150mA$	9	Direction Of Rotation	CCW
4	Rated Speed	$11400 \pm 10\%$ rpm			
5	Rated Current	$\leq 810mA$			
6	Rated Torque	56g.cm			

Drawn	Bruce	08/21/2018	Unit: mm	
Checked	Tony	08/21/2018	Kysan Electronics www.kysanelectronics.com info@kysanelectronics.com	
Eng Appr.				
Mfg Appr.				
Q.A.				
SKU: 1112461			Size :A4	Weight(g):39g
			Scale 2:1	