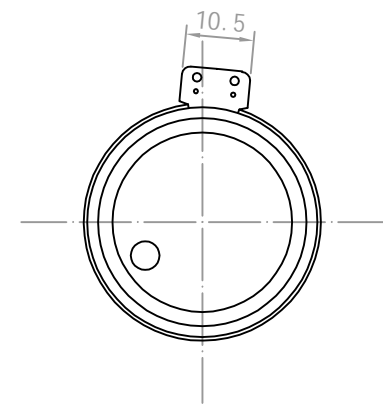
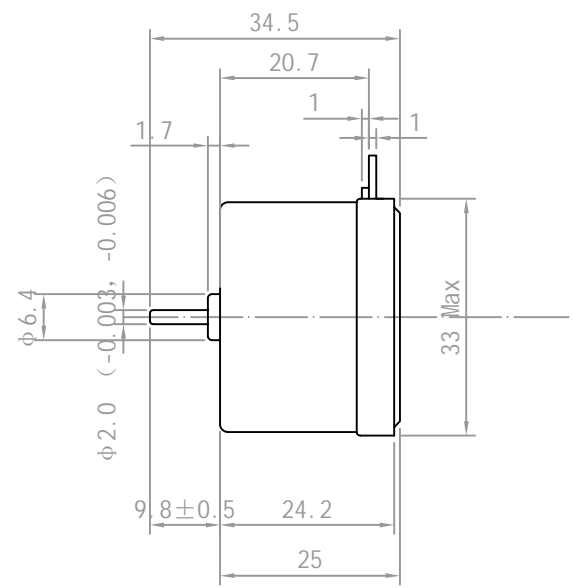
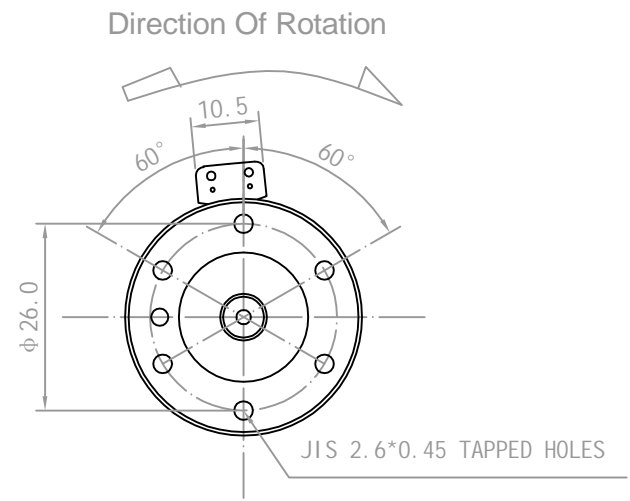


Rev.	Description	Date
01		



- Notes:
1. Allowable torque for screwing of tapped hole: 2.5kgf-cm max
  2. Tolerances not otherwise specified decimal: ±0.3mm
  3. Use AN6651 IC
  4. Enamelled copper wire: 99.9% Cu

No.	Item	Specification	No.	Item	Specification
1	Operating Voltage	3.4-15.6V DC	7	Rated Torque	10g. cm
2	Rated Voltage	12V DC	8	Starting Torque	80g. cm Min
3	No Load Speed	2400±5%RPM	9	Starting Voltage	4.0V Max
4	No Load Current	30mA Max	10	Starting Current	0.85A Max
5	Rated Speed	2400±5%RPM			
6	Rated Current	120mA Max			

Drawn	Bruce	06/12/2018	Unit: mm	
Checked			<b>Kysan Electronics</b>	
Eng Appr.			www.kysanelectronics.com	
Mfg Appr.			info@kysanelectronics.com	
Q.A.				
<b>SKU:</b> 1112514			Size :A4	Weight(Kg):
			Scale 1:1	