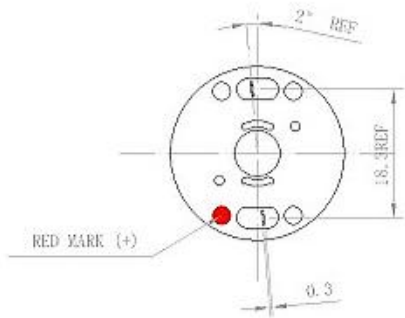
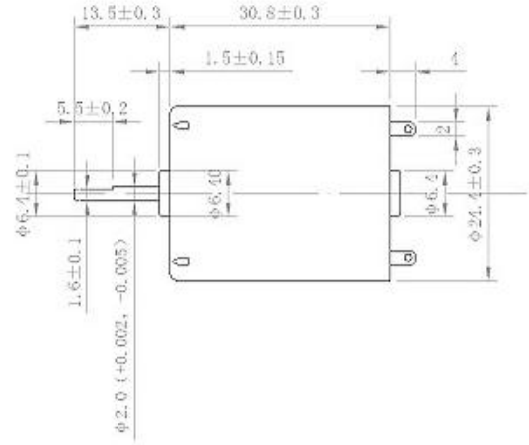
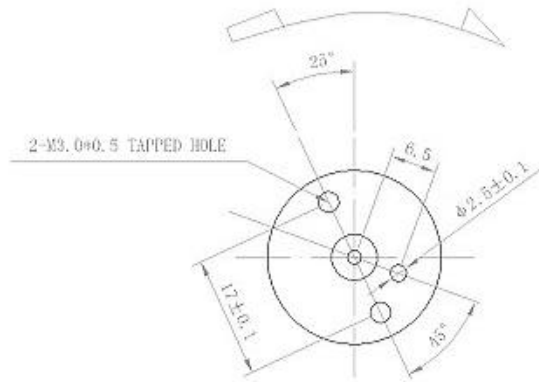


Rev.	Description	Date
01		

Direction Of Rotation

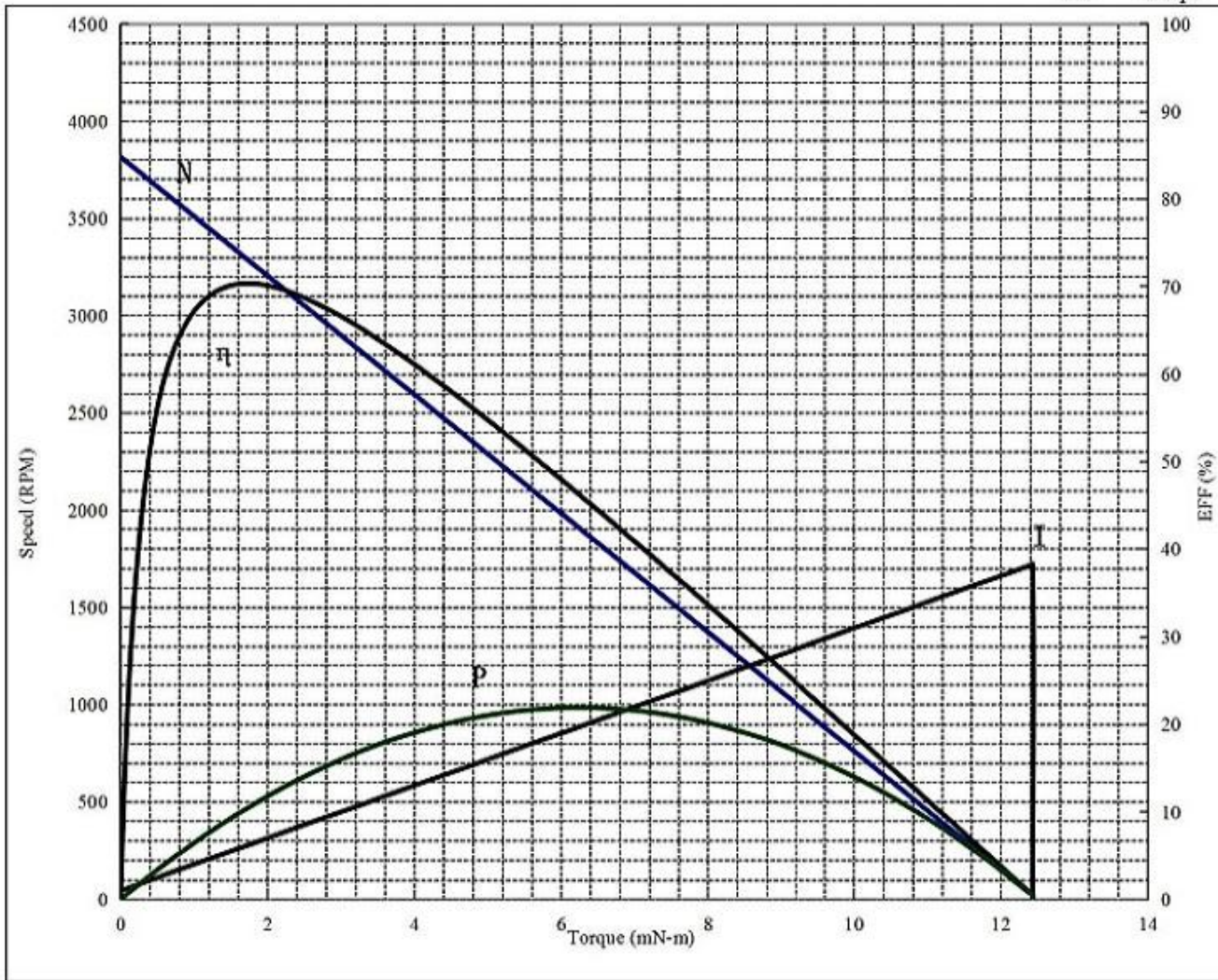


No.	Item	Specification	No.	Item	Specification
1	Starting Voltage	≤3.5V DC	7	Rated Load	16g. cm
2	Rated Voltage	12V DC	8	Stall Current	700mA MAX
3	No Load Speed	3800±10%rpm	9	Stall Torque	≧120g. cm
4	No Load Current	22mA MAX			
5	Rated Speed	3300±10%rpm			
6	Rated Current	110mA MAX			

Drawn	Bruce	05/17/2021	Unit: mm	
Checked	Eva	05/17/2021		
Eng Appr.			Kysan Electronics www.kysanelectronics.com info@kysanelectronics.com	
Mfg Appr.				
Q.A.				
SKU:			Size :A4	Weight(g):
1112771			Scale 1:1	

Model: 1112771

Date : 05/13/21
 Full scale : ----- 100 % Eff
 ----- 5.0 Watts
 ----- 1.0 Amp.



Performance (in an ambient temperature of 25-30 ° C)

Motor tested rapidly to prevent significant temperature rise.

At a constant voltage of 12.0 Volts

Direction : CW

At No Load

Speed :	3817	RPM
Current :	0.01	AMPS

At stall (Extrapolated)

Torque :	12.49	mN-m
Current :	0.385	AMPS

At maximum efficiency

Efficiency:	70.3	%
Torque :	1.735	mN-m
Speed :	3287	RPM
Current :	0.062	AMPS
Output :	0.52	Watts

At maximum Power output

Output :	1.094	Watts
Torque :	6.247	mN-m
Speed :	2010	RPM
Current :	0.19	AMPS

Characteristics

Torque constant K_t :	33.362	mN-m/AMP
E.M.F. constant E_C :	33.362	mV/rad/sec
Dynamic resistance:	31.2071	Ohms
Motor regulation M_r :	305.48	RPM/mN-m