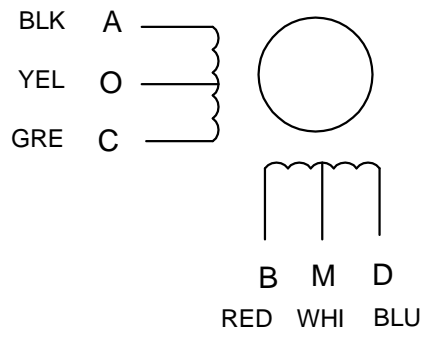
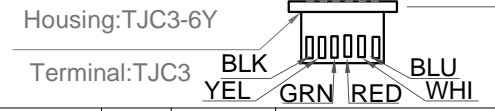
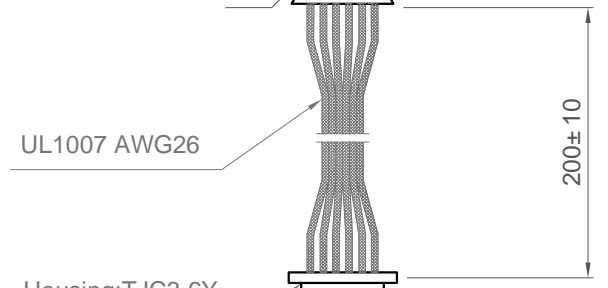
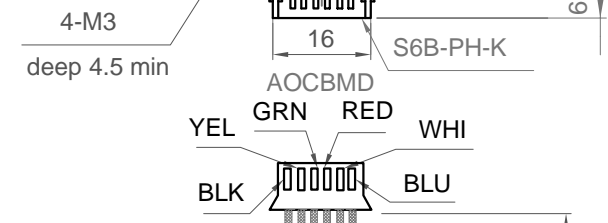
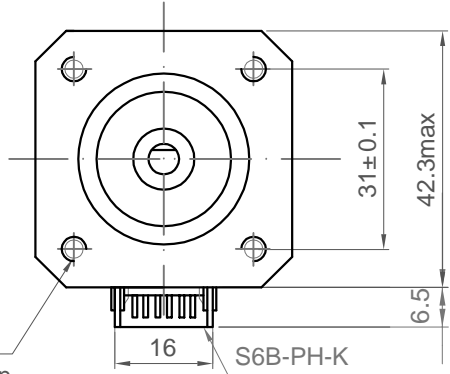
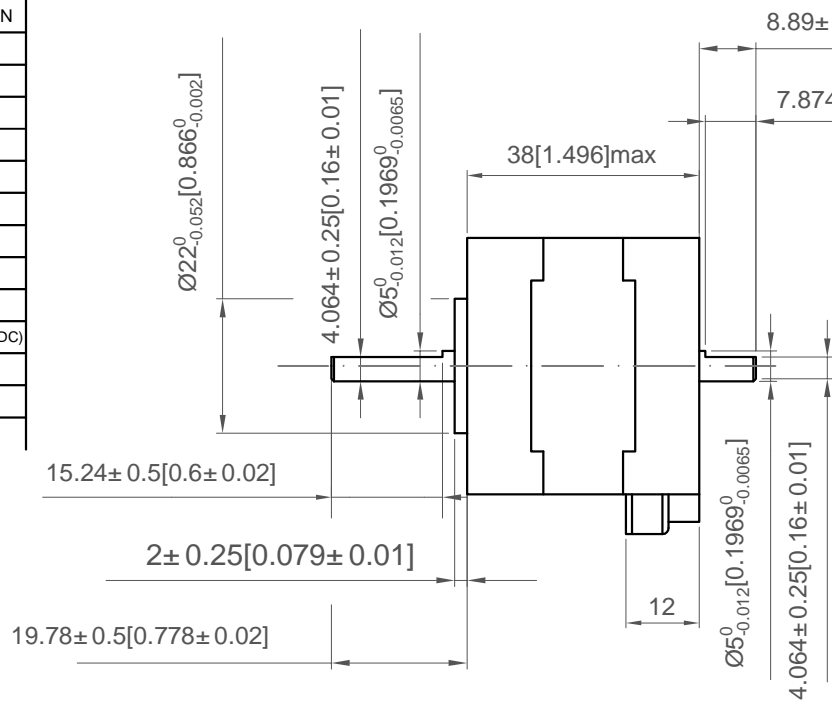


NO.	ITEM	SPECIFICATION
1	Rated Voltage	12V
2	Rated Current	0.4A
3	Step Angle	1.8°
4	Resistance Per Phase	30Ω± 10%
5	Inductance Per Phase	20mH± 20%
6	Rotor Inertia	54g.cm ²
7	Holding Torque	260mN.m
8	Number Of Phase	4
9	Insulation Class	Class B
10	Insulation Resistane	100MΩmin.(500V DC)
11	Detent Torque	15mN.m
12	Weight	0.23Kg



Rev.	Revision	Date
01	Update	5/17/2011

DRAWN	Andrew	5/17/2011	UNIT: mm		
CHECKED	Sara	5/17/2011	Sinotech		
ENG APPR.					
MFG APPR.					
Q.A.					
42BYG228-A			SIZE	P/N	REV
			A4	2082767	01
			SCALE: 1.3:1	Weight(kg): 0.23	SHEET 1 OF 1