

8 7 6 5 4 3 2 1

D

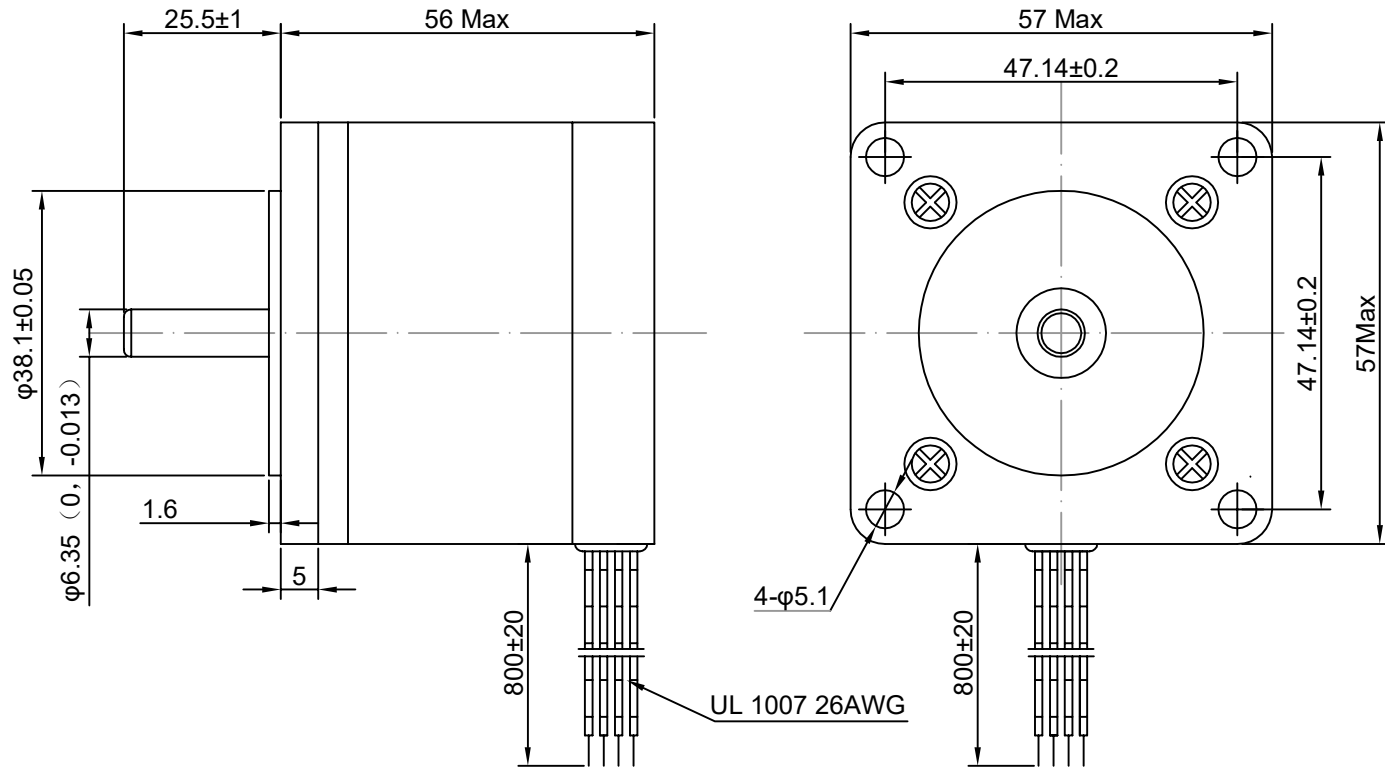
C

B

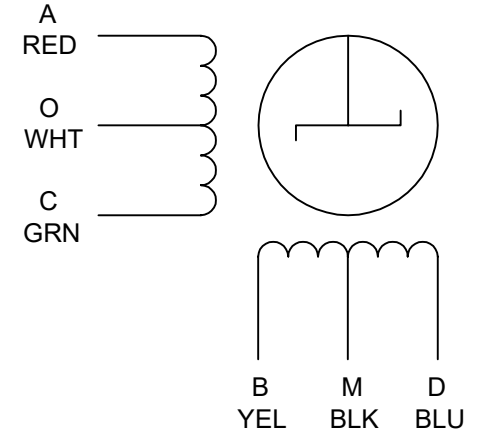
D

C

B



Wiring Diagram



Exiting Sequence (2 Phase)

Step	A	B	\bar{A}	\bar{B}	
1	+	+	-	-	
2	-	+	+	-	
3	-	-	+	+	
4	+	-	-	+	

No.	Item	Specification	No.	Item	Specification
1	Rated Voltage	12V DC	7	Insulation Resistance	100MΩ(500VDC)
2	Step Angle	1.8°±5%	8	Holding Torque	6.0kg.cm
3	Phase Current	0.6A	9	Insulation Class	B
4	Number of Phase	4	10		
5	Phase Resistance	20Ω±10%			
6	Phase Inductance	25mH±20%			

Drawn	Tony	10/15/2024	Unit: mm		
Checked	Eva	10/15/2024	Kysan Electronics www.kysanelectronics.com		
Eng Appr.					
Mfg Appr.					
Q.A.					
SKU: 1125006			Siae: A4	Weight(Kg):	
			Scale		

8 7 6 5 4 3 2 1

A

A