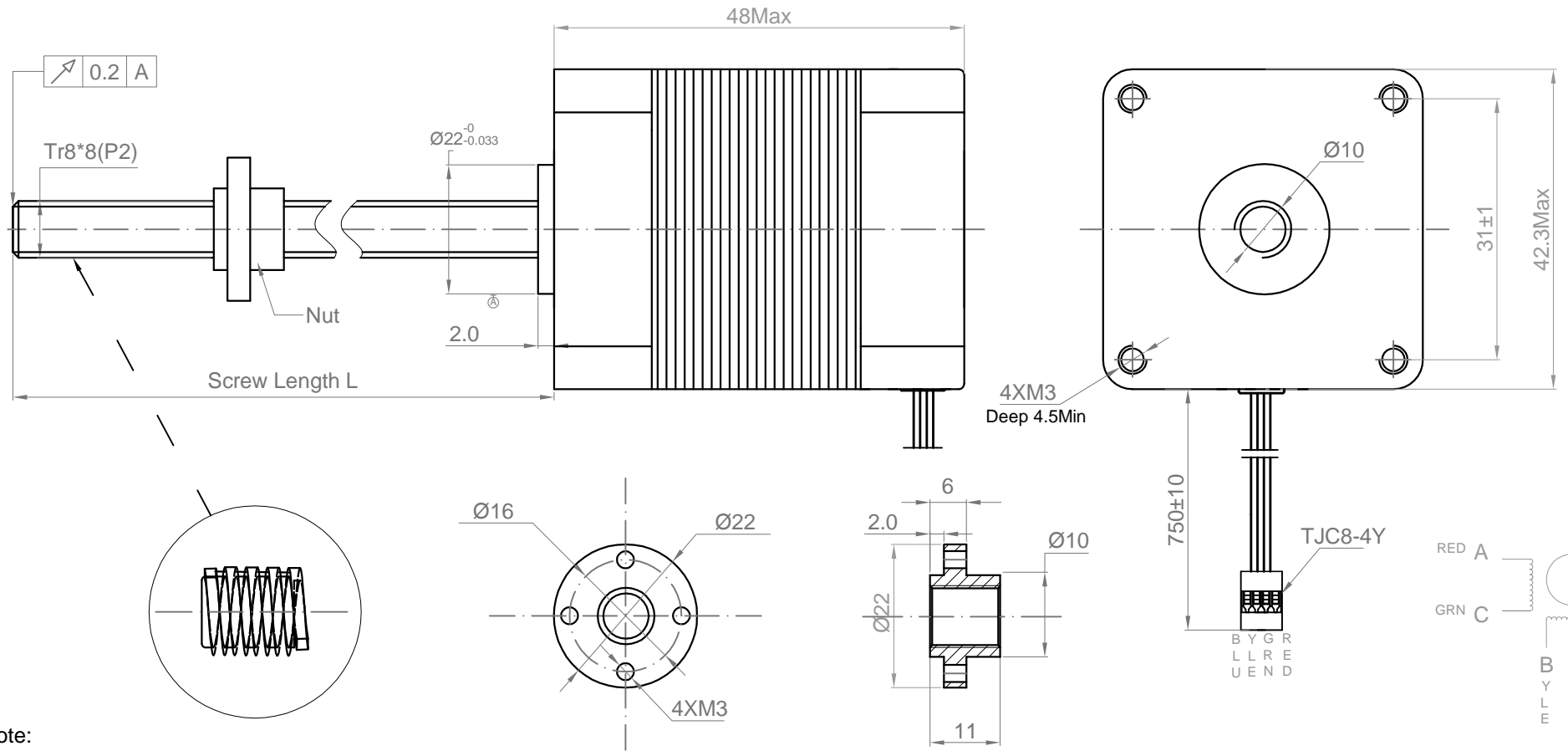


Rev.	Description	Date
01	Release for Production	06/17/2014



NO.	Item	Specification	NO.	Item	Specification
1	Step Angle	1.8°±5%	7	Holding Torque	5.5 Kg.cm (Min)
2	Rated Voltage	4.2 V	8	Insulation Class	Class B
3	Current Per Phase	1.5 A	9	Insulation Resistance	100MΩ <500V DC>
4	Resistance Per Phase	2.8 Ω ±10%	10	Screw Length L	250±1
5	Inductance Per Phase	4.8 mH ±20%			
6	Number of Phase	2			

Drawn	Lawrence	11/22/2015
Checked		
Eng Appr.		
Mfg Appr.		
Q.A.		
SKU	1125027	

Kysan Electronics		
www.kysanelectronics.com		
info@kysanelectronics.com		
Size : A4	Weight(Kg): 0.34	Unit: mm
Scale: 2:1		Sheet 1of 1