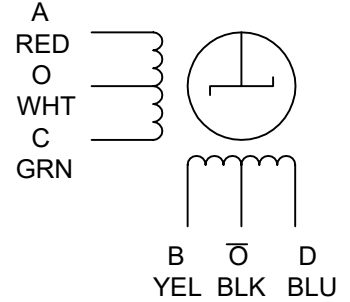


Wiring Diagram



Exiting Sequence (2 Phase)

Step	A	B	\bar{C}	\bar{D}	
1	+	+	-	-	↓ CW ↑ CCW
2	-	+	+	-	
3	-	-	+	+	
4	+	-	-	+	

No.	Item	Specification	No.	Item	Specification
1	Rated Voltage	5.5V DC	7	Holding Torque	18kg.cm
2	Step Angle	1.8°	8	Insulation Resistance	100MΩ Min(500VDC)
3	Number of Phase	4	9	Insulation Class	B
4	Phase Current	2.5A			
5	Phase Inductance	6mH±20%			
6	Phase Resistance	2.2Ω±20%			

Drawn	Tony	05/18/2026	Unit: mm		
Checked	Eva	05/18/2026	Kysan Electronics www.kysanelectronics.com		
Eng Appr.					
Mfg Appr.					
Q.A.					
SKU: 1126033			Siae: A4	Weight:	1.15Kg (Approx)
			Scale		