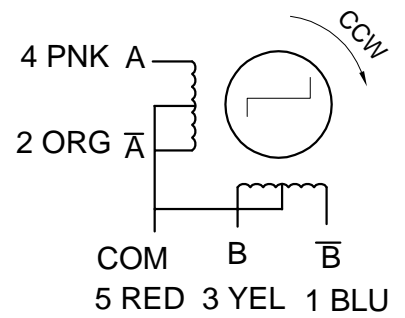
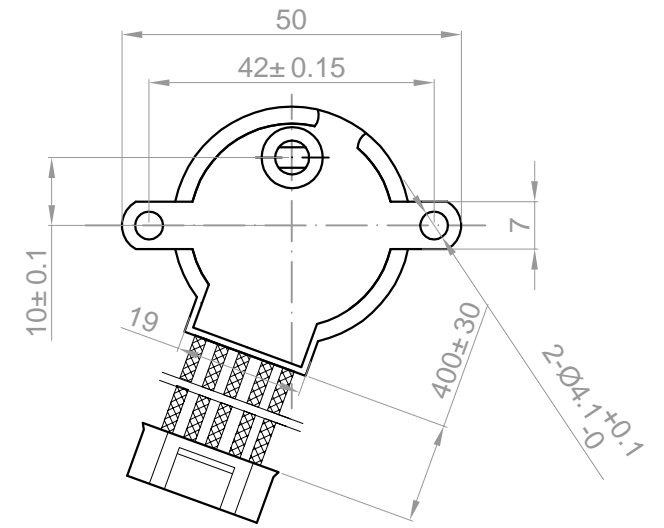
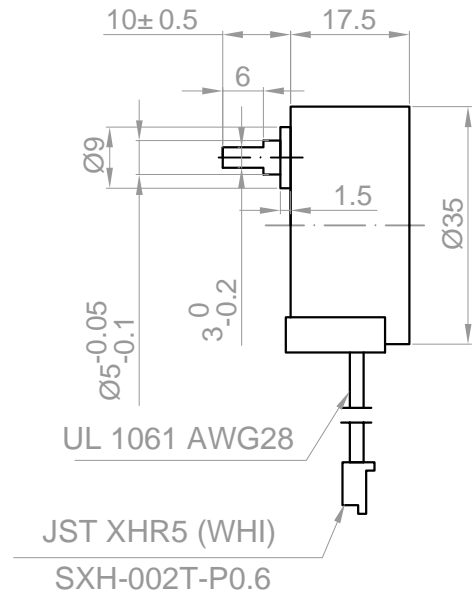


NO.	ITEM	SPECIFICATION
1	Rated Voltage	12 V
2	Number of Phase	4
3	Step Angle	7.5° / 85.25
4	Gear Ratio	1 : 85.25
5	Resistance Per Phase	130Ω± 10%
6	Current Per Phase	92 mA
7	Holding Torque	350 g.cm
8	Starting Torque	800 g.cm Min
9	Starting Frequency	350 P.P.S Min

Rev.	Revision	Date
01	Update	11/15/2011



Pin NO.	WIRE COLOR	STEP							
		1	2	3	4	5	6	7	8
5	RED	+	+	+	+	+	+	+	+
4	PNK	-	-	-	-	-	-	-	-
3	YEL	-	-	-	-	-	-	-	-
2	ORG	-	-	-	-	-	-	-	-
1	BLU	-	-	-	-	-	-	-	-

DRAWN	Emily	11/15/2011
CHECKED	Sara	11/15/2011
ENG APPR.		
MFG APPR.		
Q.A.		

SKU 1131001	SIZE A4	Email Info@kysanelectronics.com	REV 01
	SCALE: 2:1	Weight(kg):	SHEET 1 OF 1

UNIT: mm

Kysan Electronics